

# Alféa Extensa A.I.

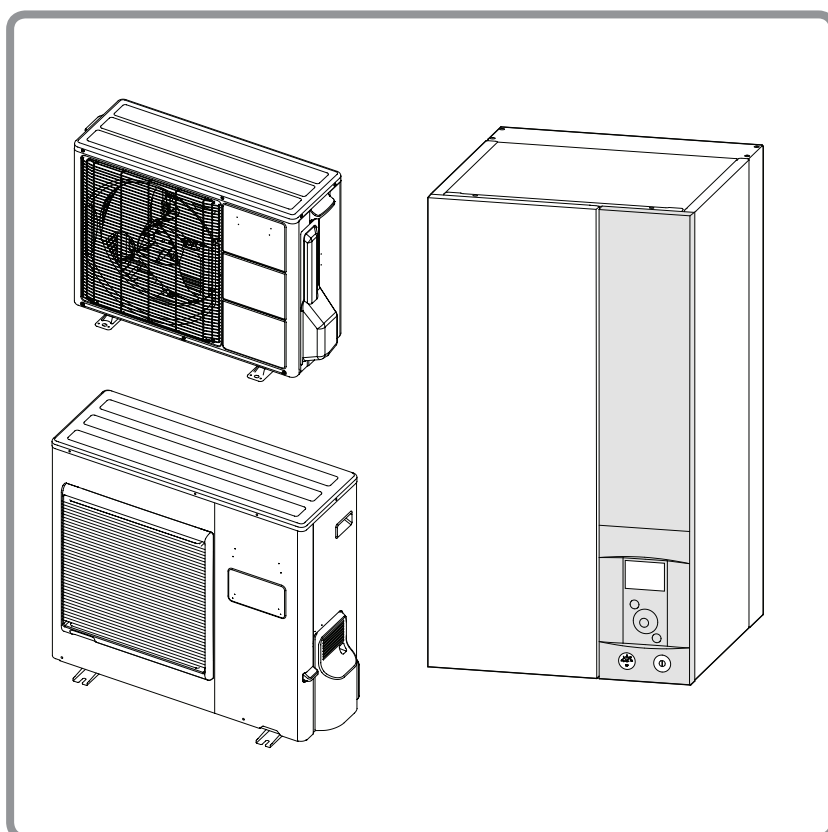
## Air/water heat pump split 1 service

### Outdoor unit

- WOYA060LFCA
- WOYA080LFCA
- WOYA100LFTA

### Hydraulic unit

- 024119
- 024120



U0611747\_1818\_EN\_3  
28/07/2017



### Installation and commissioning instructions

for professionals

to be kept by the user  
for future reference

## ☞ Installation and maintenance regulations

The appliance must be installed and maintained by an approved professional in accordance with current regulations and codes of practice.

### ☞ Handling

The outdoor unit must not be placed in a horizontal position during transport.

If not kept upright during transport, the appliance could be damaged through displacement of the refrigerant and damage to the compressor suspension.

Any damage caused by transportation in a horizontal position is not covered by the warranty.

If necessary, the outdoor unit may be tilted only during manual handling (to go through a door or up a staircase). This operation must be conducted very carefully and the appliance must be immediately restored to the upright position.

### ☞ Containment of refrigeration circuits

All refrigeration circuits are sensitive to contamination from dust and moisture. If such pollutants penetrate the refrigeration circuit, they can affect the reliability of the heat pump.

☞ **Make sure that the connections and refrigeration circuits (hydraulic unit, outdoor unit) are protected correctly.**

☞ **In the event of a subsequent failure and following an inspection, the presence of moisture or foreign bodies in the compressor oil would automatically void the warranty.**

- Check upon receipt that the fittings and refrigeration circuit caps mounted on hydraulic unit and outdoor unit are properly seated and secured (cannot be loosened with bare hands). If this is not the case, tighten them using a C spanner.
- Check also that the refrigeration connections are sealed (plastic caps or tubes crimped at the ends and brazed). If the caps must be removed during the installation (tubes to be re-cut for example), put them back as soon as possible.

## ☞ Hydraulic connections

The connection must comply with industry standard practice according to current regulations.

Remember: Seal everything when fitting in accordance with industry standard practice for plumbing work:

- Use suitable seals (fibre gasket, O-ring).
  - Use Teflon or hemp tape.
  - Use sealing paste (synthetic depending on the case).
- Use glycol/water mix if the minimum flow temperature is set below 10°C. If you are using a glycol/water mix, arrange for an annual check on the quality of the glycol. Use monopropylene glycol only. The recommended concentration is 30% minimum.  
**Never use monoethylene glycol.**

Remember: The presence at installation of a CB-type disconnection function, for preventing heating water being returned to the drinking water system, is required by articles 16.7 and 16.8 of the Local Plumbing Regulations.

☞ **In some installations, the presence of different metals can cause corrosion problems; the formation of metal particles and sludge can appear in the hydraulic circuit.**

☞ **In this case, it is advisable to use a corrosion inhibitor in the proportions indicated by the manufacturer.**

- Please refer to the chapter "Treatment of domestic and heating water" in our price catalogue.

☞ **You must also ensure that treated water does not become corrosive.**

☞ **Electrical connections**

- **Before any maintenance operation, ensure that the general power supply is switched off.**
- **Specifications of electricity supply**

The electrical installation must be carried out in accordance with current regulations.

Electrical connections will only be made once all other installation operations (fastening, assembly, etc.) have been completed.

☞ **Warning!**

The contract signed with the energy provider must be sufficient not only to cover the heat pump's power requirements but also the combined sum of all the appliances likely to be operating at the same time. If the power is too low, check the power rating stated in your contract with your energy provider.

Never use a power socket for the power supply.

The heat pump must be supplied directly with power (without external switch) by special protected leads from the electric panel via dedicated bipolar circuit breakers, C curve for the outdoor unit, C curve for the electrical heating and domestic water backups (see tables [page 39](#)).

The electrical installation must be fitted with a 30mA RCD.

This appliance is designed to operate using a nominal voltage of 230 V +/- 10%, 50 Hz.

• **General remarks on electrical connections**

It is essential to maintain neutral-phase polarity when making electrical connections.

Rigid wires are preferable for fixed installations, particularly in a building.

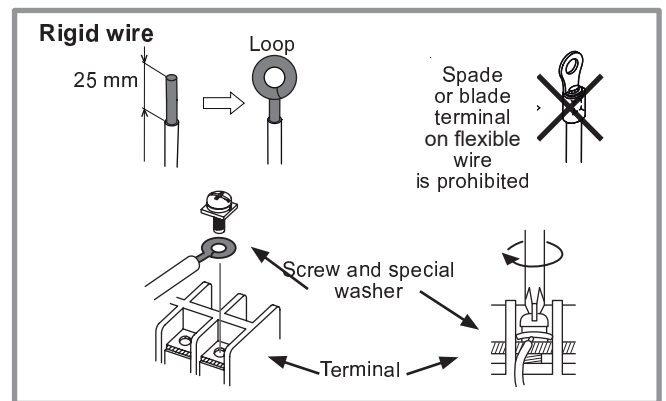
Tighten the cables using the cable glands to prevent the feed wires from being accidentally disconnected.

The earth connection and its continuity must be ensured.

• **Connecting to screw terminals**

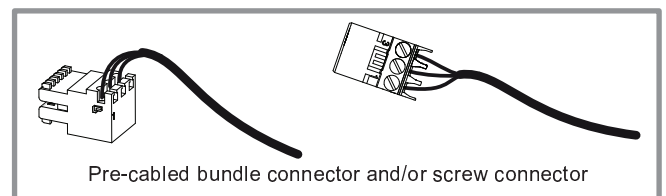
☞ **The use of ring, spade or blade terminals or caps is prohibited.**

- Always select wire that complies with current standards.
- Bare the end of the wire to around 25 mm.
- With round end pliers, form a loop with a diameter which matches the tightening screws on the terminal.
- Tighten the terminal screw firmly onto the loop created. Insufficient tightening can cause overheating, leading to breakdown or even fire.



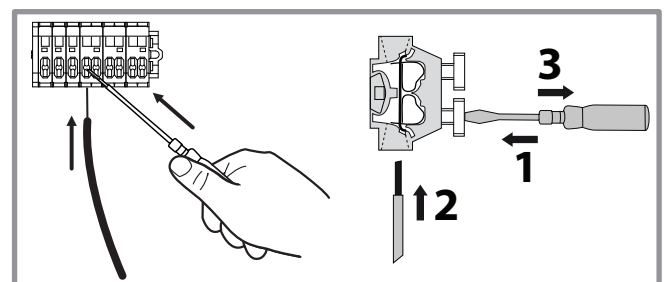
• **Connecting to controller boards**

- Remove the corresponding connector and make the connection.



• **Connecting to spring terminals**

- Bare the end of the wire to around 10 mm.
- Push the spring with a screwdriver so that the wire enters the cage.
- Slide the wire into the opening provided for this purpose.
- Remove the screwdriver and then check that the wire stays gripped by the cage by pulling on it.



**This appliance must be installed by qualified personnel holding a certificate of competence in the handling of refrigerants.**

## *Contents*

|   |  |
|---|--|
| <b>Description of the equipment . . . . . 6</b>                                     |  |
| Packing . . . . . 6   | General characteristics . . . . . 7                  |
| Unpacking and supplies . . . . . 6  | Description. . . . . 14                              |
| Definitions . . . . . 6   | Operating principle . . . . . 16                     |
| <b>Installation . . . . . 18</b>  |  |
| Installation of refrigeration connections . . . . . 18                              | Installation of the outdoor unit . . . . . 20        |
|   | Installation of the hydraulic unit . . . . . 22      |
| <b>Refrigeration connections and filling the installation with gas . . . . . 24</b> |  |
| Rules and precautions. . . . . 24   | Checks and connection . . . . . 27                   |
| Shaping the refrigeration pipes . . . . . 24  | Filling the installation with gas. . . . . 28        |
| <b>Hydraulic connections . . . . . 34</b>   |  |
| Connecting the hydraulic unit to the heating circuit . 34                           | Heating circulation pump speed settings . . . . . 36 |
| Filling and bleeding the installation . . . . . 35                                  |  |
| <b>Electrical connections . . . . . 38</b>  |  |
| Cable dimensions and protection rating . . . . . 39                                 | Outdoor sensor . . . . . 44                          |
| Electrical connections on the outdoor unit side . . . 40                            | Room sensor (option) . . . . . 44                    |
| Electrical connections on the hydraulic unit side . . 42                            |  |
| <b>Commissioning. . . . . 46</b>  |  |
| <b>Controller Interface . . . . . 48</b>  |  |
| User Interface . . . . . 48   | Navigating the Menus . . . . . 50                    |
| Display Description . . . . . 49  | Modifying Settings . . . . . 51                      |
| Installer Menu . . . . . 50   | Temperature control . . . . . 52                     |



|  |           |
|--|-----------|
| <b>Controller Menu</b> . . . . .                 | <b>54</b> |
| Menu Structure . . . . .                         | 54        |
| Installed options . . . . .                      | 55        |
| Hydraulic configuration . . . . .                | 55        |
| Heat Pump Configuration . . . . .                | 60        |
| System status . . . . .                          | 62        |
| Auxiliary functions . . . . .                    | 64        |
| Settings . . . . .                               | 66        |
| Easy Start . . . . .                             | 70        |
| <b>Basic Hydraulic Layout</b> . . . . .          | <b>72</b> |
| <b>Electrical Cabling Plans</b> . . . . .        | <b>74</b> |
| <b>Fault Diagnosis.</b> . . . . .                | <b>80</b> |
| Faults in the hydraulic unit . . . . .           | 80        |
| Faults in the outdoor unit . . . . .             | 81        |
| <b>Maintenance of the installation</b> . . . . . | <b>82</b> |
| Checking the hydraulic circuit . . . . .         | 82        |
| Checking the outdoor unit . . . . .              | 82        |
| Checking the electrical circuit . . . . .        | 82        |
| <b>Other maintenance.</b> . . . . .              | <b>83</b> |
| Emptying the hydraulic unit . . . . .            | 83        |
| Distribution valve . . . . .                     | 83        |
| <b>Quick-start procedure</b> . . . . .           | <b>84</b> |
| Start-up check-list . . . . .                    | 84        |
| Commissioning technical datasheet . . . . .      | 86        |
| <b>ErP performance figures.</b> . . . . .        | <b>88</b> |
| Definition of ErP . . . . .                      | 88        |
| ErP specification . . . . .                      | 88        |
| Package datasheet . . . . .                      | 90        |
| <b>Instructions for the end user</b> . . . . .   | <b>91</b> |

# 1 Description of the equipment

## 1.1 Packing

- **1 package:** Outdoor unit.
- **1 package:** Hydraulic unit and outdoor temperature sensor.

## 1.2 Unpacking and supplies

While the courier is still present, carefully check the general appearance of the appliances and check that the outdoor unit has not been laid in a horizontal position.

In the event of a dispute, send any relevant reservations to the carrier in writing within 48 hours and send a copy of the letter to Customer Services.

## 1.3 Definitions

- **Split:** The heat pump consists of two elements (an outdoor unit to be installed outdoors and a hydraulic unit to be installed inside the dwelling).
- **Air/water:** The surrounding air is the energy source. This energy is transmitted to the heating circuit water by the heat pump.
- **Inverter:** The fan and compressor speeds are modulated according to the heating requirements. This technology enables you to save on energy and operate on a single-phase power supply, whatever the heat pump's output, by avoiding pulling significant amounts of current at start-up.
- **COP** (Coefficient of Performance): This is the relationship between the energy transmitted to the heating circuit and consumed electrical energy.

### Packing contents list

| Heat Pump             |             | Outdoor unit |        | Hydraulic unit          |        |
|-----------------------|-------------|--------------|--------|-------------------------|--------|
| Model                 | Export code | Reference    | Code   | Reference               | Code   |
| Alféa Extensa A.I. 5  | 526220      | WOYA060LFCA  | 700171 | Alféa Extensa A.I. 5    | 024119 |
| Alféa Extensa A.I. 6  | 526221      |              |        | Alféa Extensa A.I. 6-10 | 024120 |
| Alféa Extensa A.I. 8  | 526222      | WOYA080LFCA  | 700172 |                         |        |
| Alféa Extensa A.I. 10 | 526223      | WOYA100LFTA  | 700173 |                         |        |

### Optional equipment

- **Dual circuit kit** (code 074025) for connecting 2 heating circuits.
- **6 kW backup relay kit** (code 075327) for switching to HP electrical backup of 3 to 6 kW.
- **DHW kit** (code 073991) for connecting a mixed DHW tank (with built-in electrical backups).
- **Boiler connection kit** (code 073989) for connecting a boiler to the heat pump.
- **Wireless room sensor A59** (code 074208) for correcting the ambient temperature.
- **Wireless room sensor A75** (code 074213), **Wireless room sensor A78** (code 074214) for correcting the ambient temperature and programming the heat pump.
- **Cooling kit** (code 075328).
- **High flow rate circulation pump kit** (code 074077) for the installation of 1 underfloor heating circuit.
- **Anti-vibration blocks** (code 523574).
- **White PVC floor support** (ref. 809532) or **Black rubber floor support** (ref. 809536).

### Operating Range

This heat pump provides:

- Heating in winter,
- The management of electrical backups, for extra heating on the coldest days,
- or
- Installation with boiler connection\* for extra heating on the coldest days,
- Management of two heating circuits\*,
- Production of domestic hot water\* (provided that it is combined with a mixed DHW tank),
- Cooling in summer\* (for underfloor heating-cooling system or fan-convectors).

\*: These options require the use of additional kits (see chapter "Required accessory" or "Optional equipment").

## 1.4 General characteristics

| Model name   | Alféa Extensa A.I.  | 5                         | 6           | 8           | 10          |
|--|---------------------|---------------------------|-------------|-------------|-------------|
| <b>Rated heating performances</b> (outdoor temp. / flow temp.)                                     |                     |                           |             |             |             |
| <b>Heat output</b>   |                     |                           |             |             |             |
| +7°C/+35°C - Underfloor heating system   | kW                  | 4.50                      | 6.00        | 7.50        | 10.00       |
| -7°C/+35°C - Underfloor heating system   | kW                  | 4.10                      | 4.60        | 5.70        | 7.40        |
| +7°C/+45°C - LT radiator   | kW                  | 4.50                      | 5.10        | 6.20        | 8.27        |
| -7°C/+45°C - LT radiator   | kW                  | 4.10                      | 4.45        | 5.05        | 7.40        |
| +7°C/+55°C - Radiator  | kW                  | 4.50                      | 4.50        | 5.00        | 7.00        |
| -7°C/+55°C - Radiator  | kW                  | 3.70                      | 3.85        | 5.20        | 7.00        |
| <b>Power consumption</b>   |                     |                           |             |             |             |
| +7°C/+35°C - Underfloor heating system   | kW                  | 1.00                      | 1.41        | 1.84        | 2.49        |
| -7°C/+35°C - Underfloor heating system   | kW                  | 1.47                      | 1.74        | 2.23        | 2.97        |
| +7°C/+45°C - LT radiator   | kW                  | 1.31                      | 1.50        | 1.87        | 2.53        |
| -7°C/+45°C - LT radiator   | kW                  | 1.86                      | 2.04        | 2.47        | 3.70        |
| +7°C/+55°C - Radiator  | kW                  | 1.79                      | 1.79        | 1.94        | 2.86        |
| -7°C/+55°C - Radiator  | kW                  | 2.20                      | 2.33        | 3.34        | 4.15        |
| <b>Coefficient of Performance (COP)</b>  | <b>(+7°C/+35°C)</b> | <b>4.52</b>               | <b>4.26</b> | <b>4.08</b> | <b>4.02</b> |
| <b>Electrical specifications</b>   |                     |                           |             |             |             |
| Electrical voltage (50 Hz)   | V                   | 230                       |             |             |             |
| Maximum current for appliance  | A                   | 11                        | 12.5        | 17.5        | 18.5        |
| Nominal current  | A                   | 4.5                       | 6.3         | 8.1         | 10.9        |
| Maximum current of the Heating system electrical backup  | A                   | 13.05 / 26.1              |             |             |             |
| Power of the Heating system electrical backup  | kW                  | 3 (6 kW option available) |             |             |             |
| Fan actual power consumption   | W                   | 49                        | 49          | 49          | 100         |
| Circulation pump actual power consumption  | W                   | 24                        | 24          | 24          | 24          |
| Maximum power consumed by the outdoor unit   | W                   | 2530                      | 2875        | 4025        | 4255        |
| Rate according to EN14825  |                     | 0.0100                    | 0.0070      | 0.0057      | 0.0044      |
| <b>Hydraulic Circuit</b>   |                     |                           |             |             |             |
| Maximum operating pressure   | MPa (bar)           | 0.3 (3)                   |             |             |             |
| Flow rate of the hydraulic circuit for 4°C< $\Delta$ t<8°C (rated conditions)<br>minimum / maximum | l/h                 | 490/980                   | 650/1300    | 810/1620    | 1080/2160   |
| <b>Miscellaneous</b>   |                     |                           |             |             |             |
| Weight of outdoor unit   | Kg                  | 41                        | 41          | 42          | 60          |
| Noise level <sup>1</sup> at 1 metre (hydraulic unit)   | dB (A)              | 39                        |             |             |             |
| Sound power level in accordance with EN 12102 <sup>2</sup> (hydraulic unit)                        | dB (A)              | 46                        |             |             |             |
| Noise level <sup>1</sup> at 1 metre (outdoor unit)   | dB (A)              | 41                        | 41          | 47          | 47          |
| Sound power level in accordance with EN 12102 <sup>2</sup> (outdoor unit)                          | dB (A)              | 63                        | 63          | 69          | 69          |
| Weight of hydraulic unit (empty / full of water)   | Kg                  | 46 / 62                   |             |             |             |
| Hydraulic unit water capacity  | l                   | 16                        |             |             |             |
| <b>Heating system operating limits</b>   |                     |                           |             |             |             |
| Outdoor temperature min/max  | °C                  | -20 / +35                 | -20 / +35   | -20 / +35   | -20 / +35   |
| Underfloor heating system max. heating flow water temperature                                      | °C                  | 45                        |             |             |             |
| LT radiator max. heating flow water temperature  | °C                  | 55                        | 55          | 55          | 55          |
| Min. flow water temperature  | °C                  | 8                         |             |             |             |
| <b>Refrigeration circuit</b>   |                     |                           |             |             |             |
| Gas pipe diameters   | Inches              | 1/2                       | 1/2         | 5/8         | 5/8         |
| Liquid Piping Diameters  | Inches              | 1/4                       | 1/4         | 1/4         | 3/8         |
| Factory fill of refrigerant R410A <sup>3</sup>   | g                   | 1100                      | 1100        | 1400        | 1800        |
| Maximum operating pressure   | MPa (bar)           | 4.15 (41.5)               |             |             |             |
| Minimum / Maximum length of pipes <sup>4</sup>   | m                   | 5 / 15                    | 5 / 15      | 5 / 15      | 5 / 15      |
| Maximum length of pipes <sup>5</sup> / Maximum level difference                                    | m                   | 30 / 20                   | 30 / 20     | 30 / 20     | 30 / 20     |

<sup>1</sup> Hydraulic unit: Sound pressure level at (x) m from the appliance, 1.5m off the ground, open field directionality 2 / Outdoor unit : Sound pressure level at (x) m from the device, halfway between the ground and top of the outdoor unit, open field directionality 2.

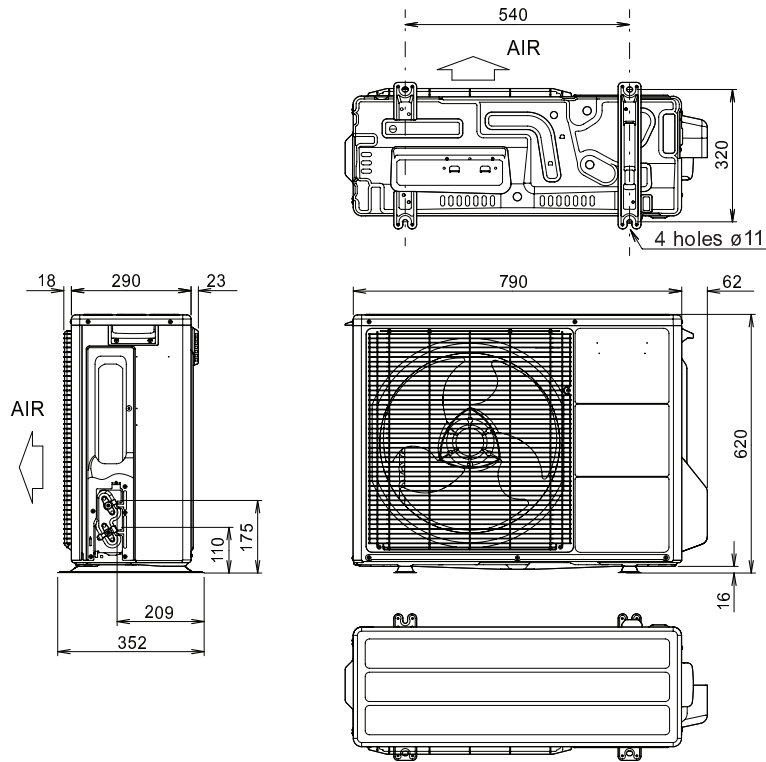
<sup>2</sup> The sound power level is a laboratory measurement of the emitted sound power. It does not correspond to a measurement of the perceived sound power.

<sup>3</sup> Refrigerant R410A as per NF EN 378.1 standard.

<sup>4</sup> Filling with refrigerant R410A is done at the factory.

<sup>5</sup> Taking into account a possible additional fill of refrigerant R410A (see "Additional filling", page 31).

**Outdoor Unit,  
Alféa Extensa A.I. 5, 6 and 8**



**Outdoor Unit,  
Alféa Extensa A.I. 10**

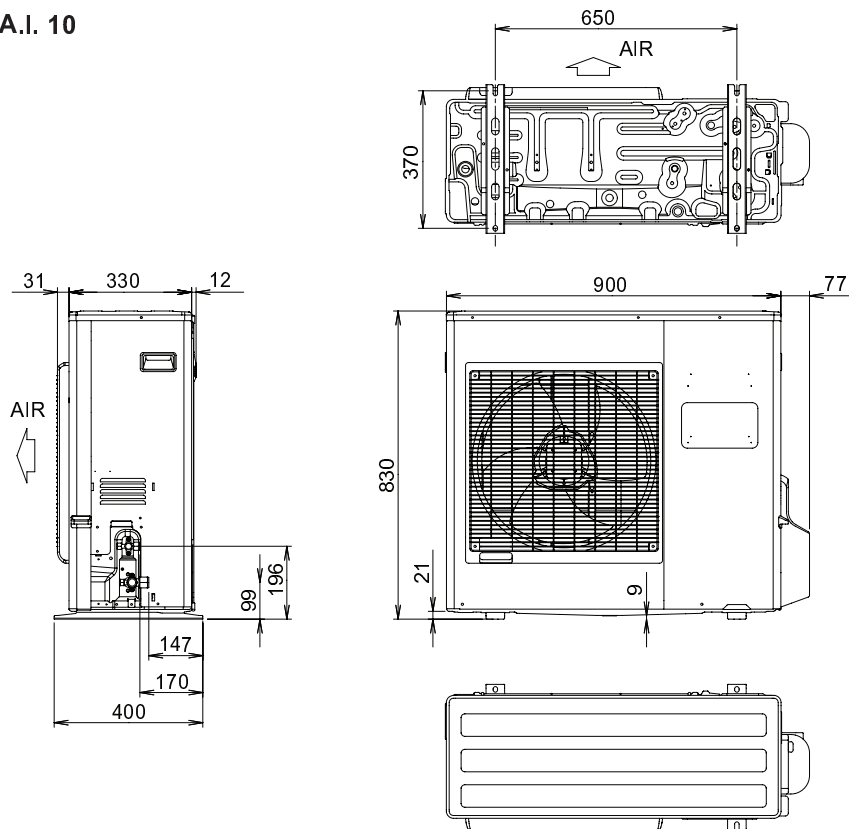


figure 1 - Dimensions in mm



---

---

---

---

---

---

---

---

---

---

---

---

---

---

---

---

---

---

---

---

---

---

---

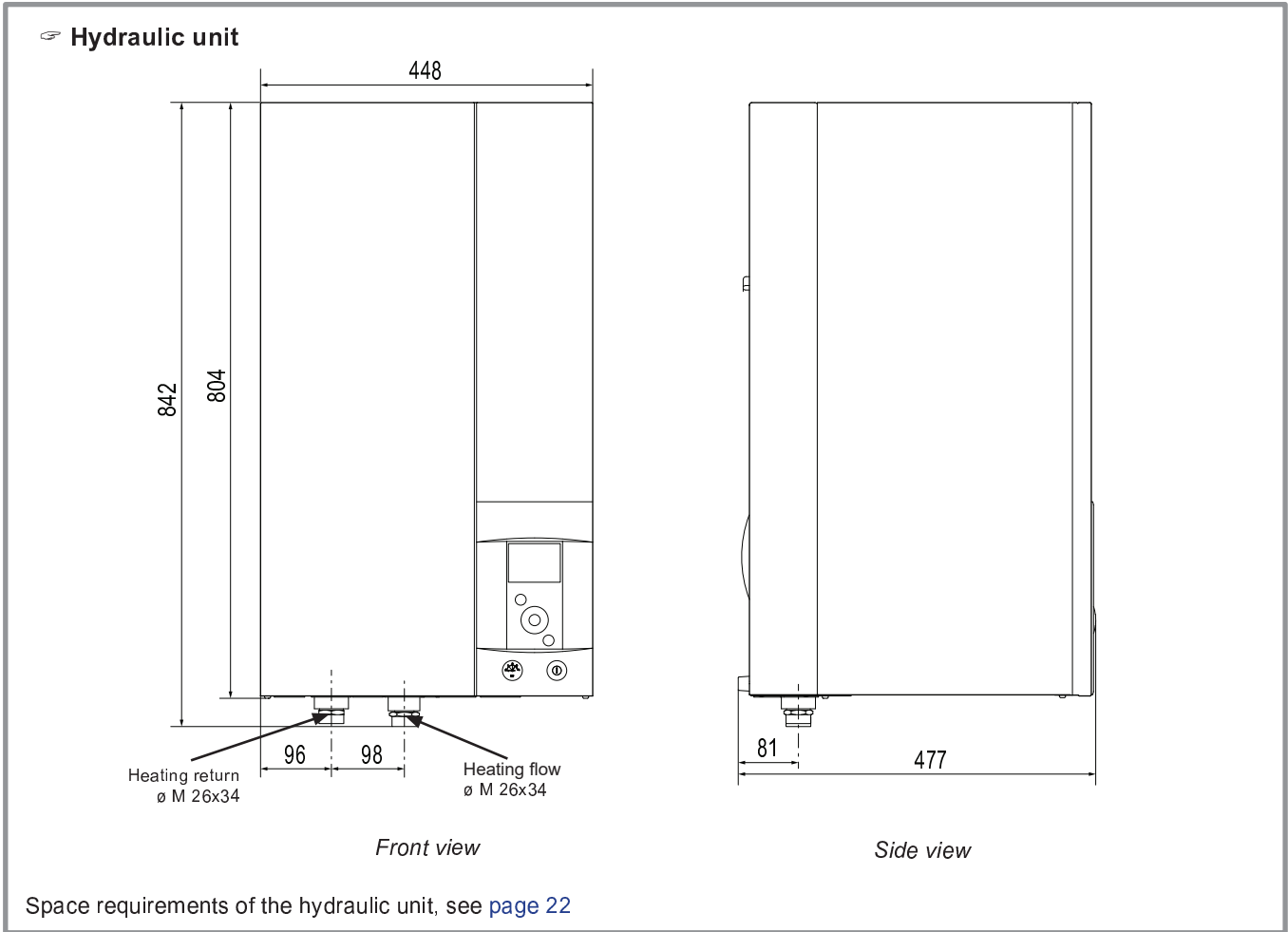


figure 4 - Dimensions in mm

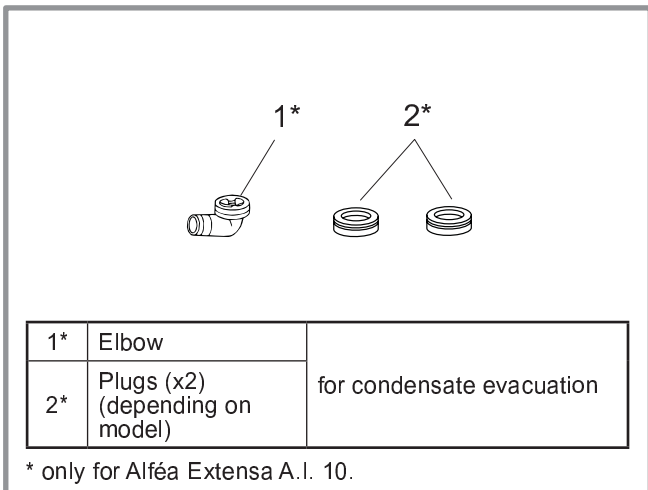


figure 2 - Accessories provided with the outdoor unit

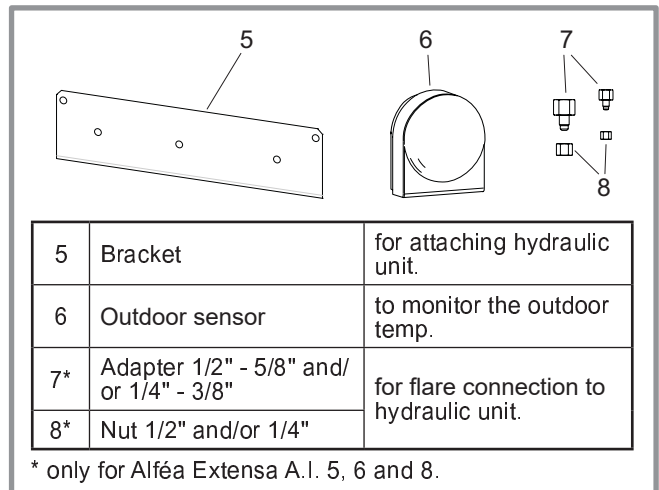


figure 3 - Accessories provided with the hydraulic unit



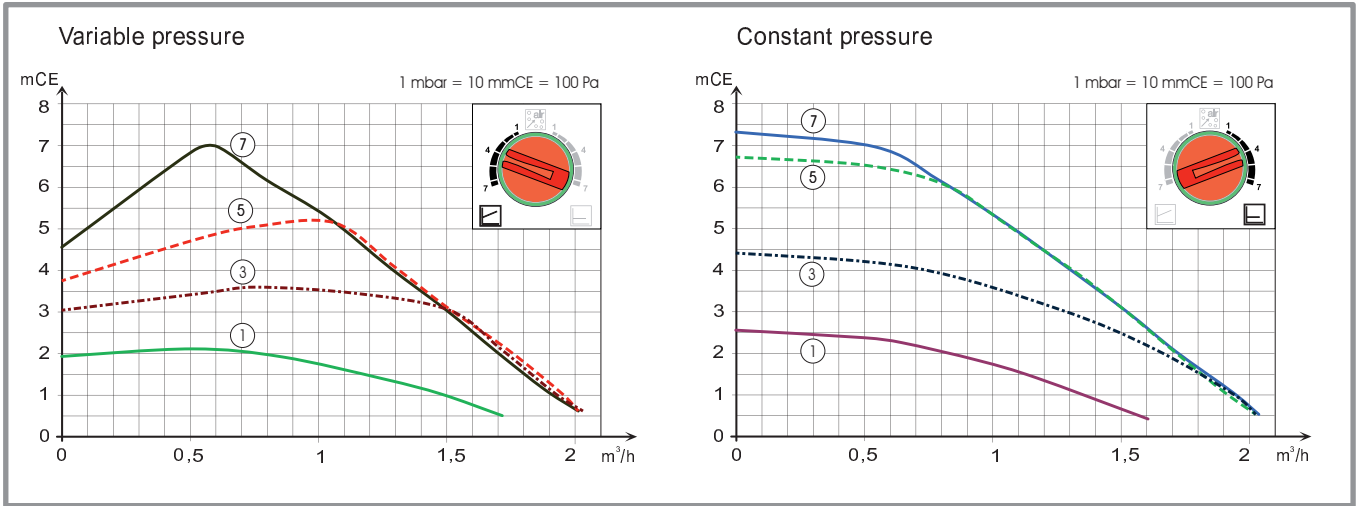


figure 5 - Available hydraulic pressures and flow rates

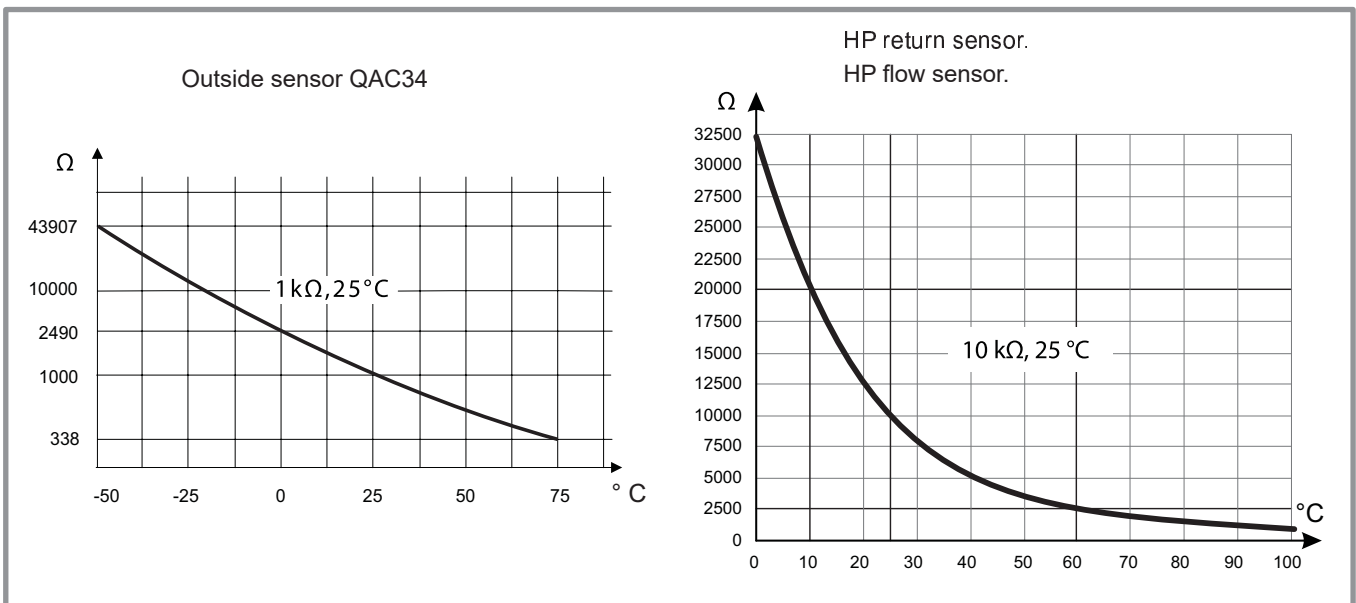


figure 6 - Ohmic sensor values (Hydraulic unit)



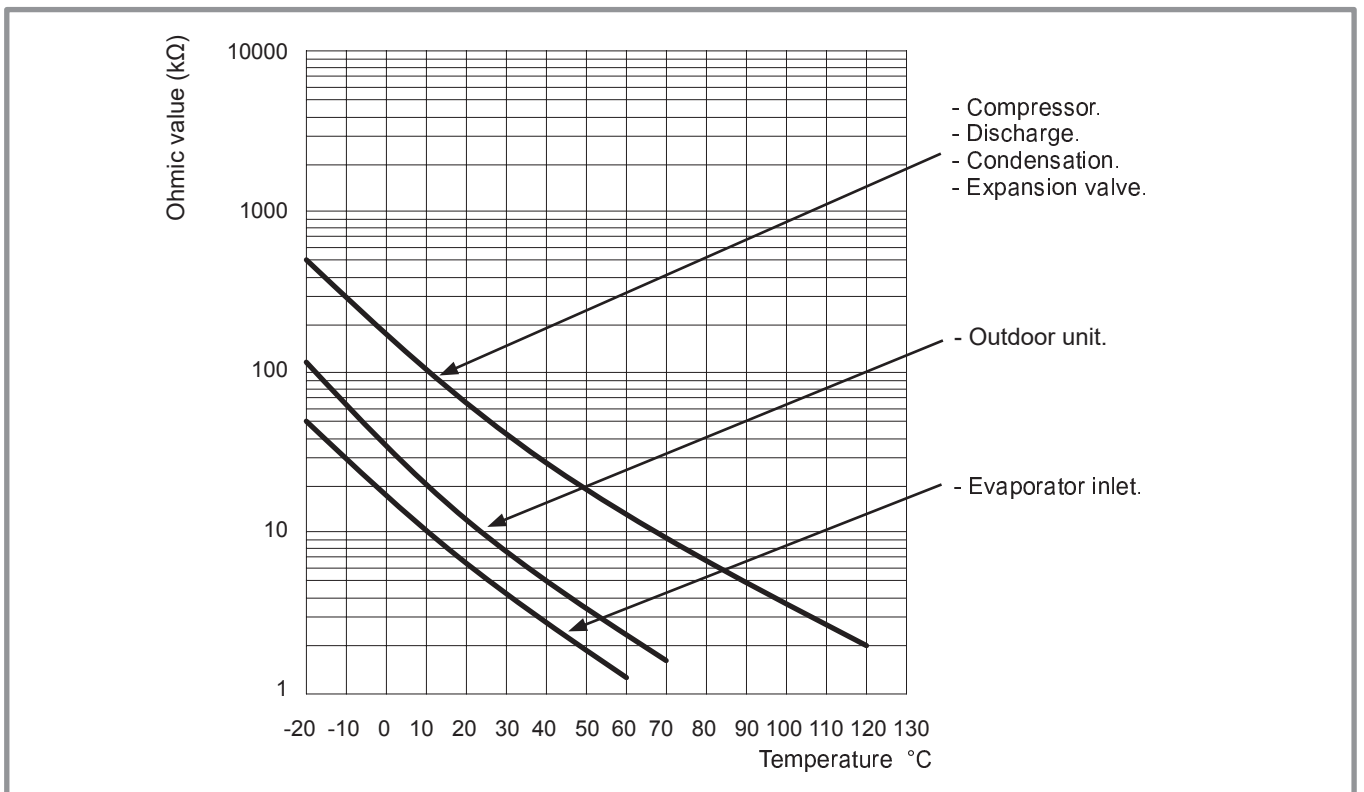
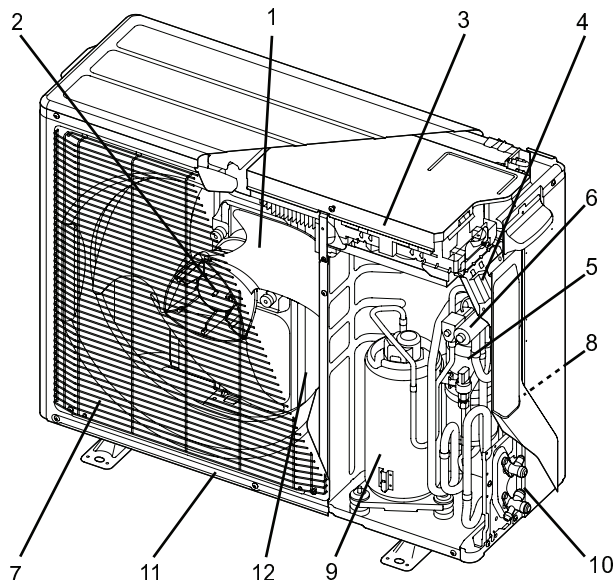


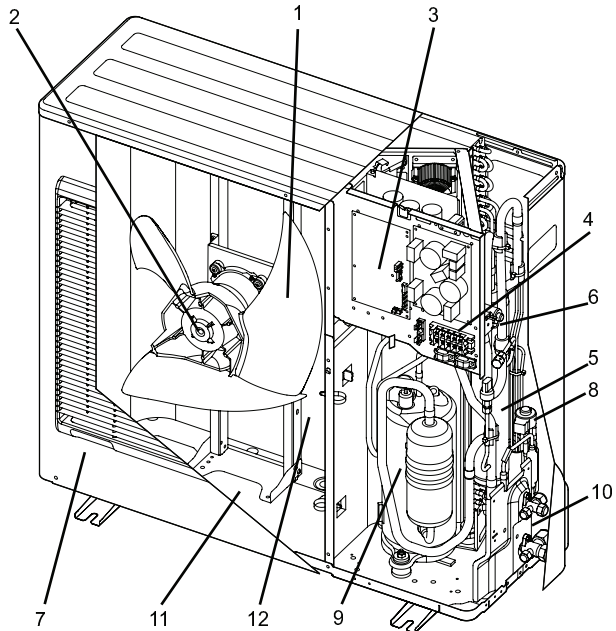
figure 7 - Ohmic sensor values (Outdoor unit)

### 1.5 Description

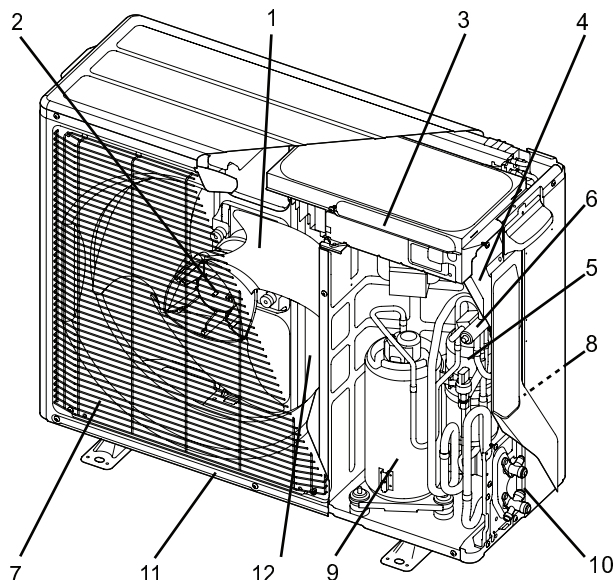
Alféa Extensa A.I. 5 and 6



Alféa Extensa A.I. 10



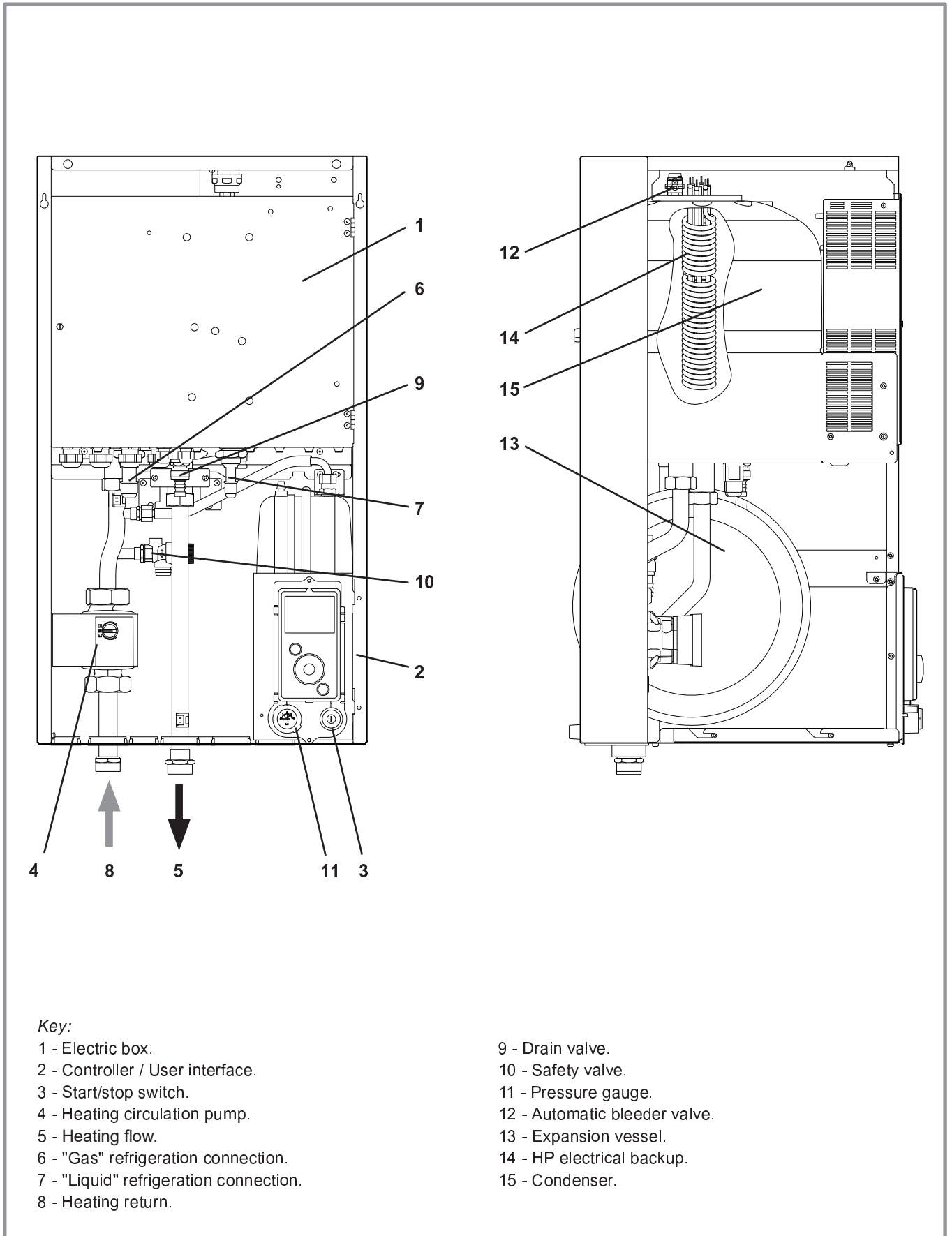
Alféa Extensa A.I. 8



**Key:**

- 1 - High performance and low noise impeller.
- 2 - Electrical motor with variable "inverter" operation.
- 3 - "Inverter" control unit.
- 4 - Connection terminal blocks (power supply and interconnection).
- 5 - Refrigerant storage bottle.
- 6 - 4-way valve.
- 7 - Anti-corrosion treated bodywork.
- 8 - Main circuit electronic expansion valve.
- 9 - Noise and thermally insulated "inverter" compressor.
- 10 - Refrigeration connection valves (flared connectors) with protective caps.
- 11 - Holding tank with condensate drain hole.
- 12 - High-performance exchange surface evaporator; anti-corrosion treated hydrophilic aluminium fins and grooved copper tubes.

figure 8 - Outdoor unit components



**figure 9 - Hydraulic unit components**

## 1.6 Operating principle

The heat pump transmits the energy contained in the surrounding air into the dwelling to be heated.

The heat pump consists of four main elements, in which a refrigerant (R410A) circulates.

- In the evaporator (ref. 12, figure 8, page 14): The calories are taken from the outside air and transmitted to the refrigerant. Because it has a low boiling point, it changes from a liquid to a vapour, even in cold weather (down to -20°C outside temperature).
- In the compressor (ref. 9, figure 8, page 14): The vaporised refrigerant is pressurised and takes on even more calories.
- In the condenser (ref. 14, figure 9, page 15): The energy of the refrigerant is transmitted to the heating circuit. The refrigerant returns to its liquid state.
- In the expansion valve (ref. 8, figure 8, page 14): The liquefied refrigerant is returned to a low pressure and regains its initial temperature and pressure.

The heat pump is equipped with a controller which controls the room temperature based on the outdoor temperature measurement. The room thermostat (option) provides a corrective action for the temperature control.

The hydraulic unit is fitted with an electrical backup or boiler connection\* which intervenes to provide additional heat during the coldest periods.

### • Control functions

- The heating circuit's flow temperature is controlled by the temperature control.
- Depending on the heating flow temperature, the outdoor unit's power is modulated by the "Inverter" compressor.
- Control of the backup electrical heating.
- The daily timer program is used to set the periods where the ambient temperature is comfortable or reduced.
- Summer/winter time mode switchover is automatic.
- Management of the boiler backup\*.
- Room sensor\*: The room sensor provides a corrective action for the temperature control.
- Control of a second heating circuit\*.
- Domestic hot water\*: Heating timer program, management of the DHW circulation pump.
- Managing cooling\*.

\* Where the heat pump is fitted with options and associated kits.

### • Protective functions

- Anti-legionella cycle for domestic hot water.
- Frost protection: Frost protection cuts in if the heating circuit's flow temperature falls below 5°C (provided that the heat pump's electrical power supply is not interrupted).

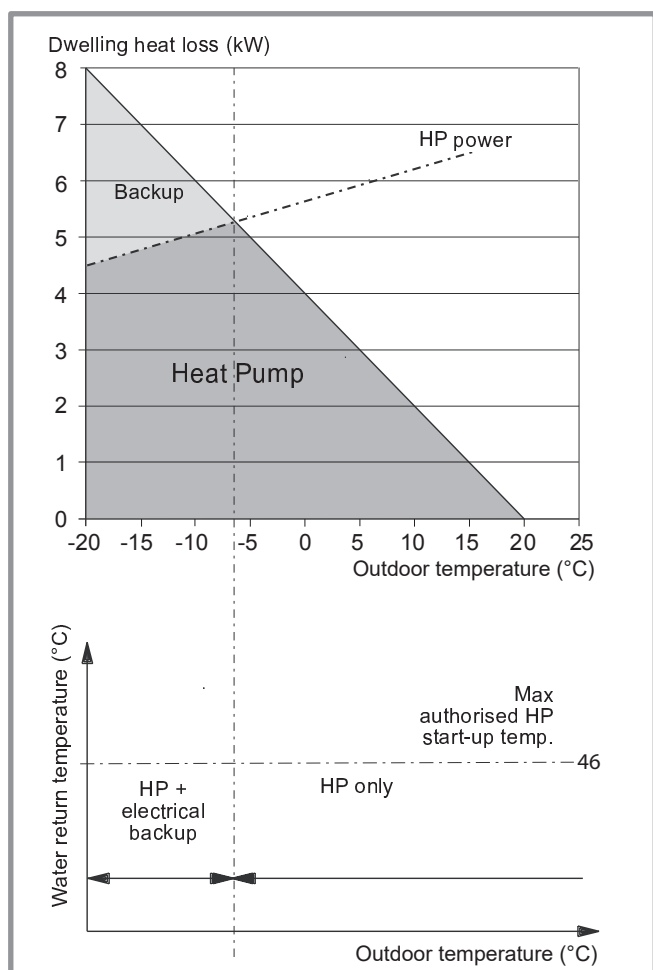


figure 10 - Examples and operating limits

**• Domestic hot water (DHW) operating principle**

Two domestic hot water (DHW) temperatures can be set: comfort and reduced.

The default DHW program is set to the comfort temperature between 00:00 and 05:00 and between 14:30 and 17:00 and to the reduced temperature for the rest of the day. This optimises electrical consumption while ensuring comfortable heating and water temperatures.

The reduced temperature setpoint may be useful to avoid restarting the DHW too often and for too long during the day.

The production of domestic hot water (DHW) is started when the temperature in the tank drops to 7°C below the temperature setpoint.

The heat pump produces the domestic hot water, which is then additionally heated, if required, by the tank's electrical backup or by the boiler. To ensure a DHW setpoint over 55°C, the electrical backup heating must be left on.

Depending on the setting, the comfort temperature can be reached 24h/day or only at night or following the DHW program.

If the contract signed with the energy provider includes a day/night tariff, the electrical backup is subject to the supplier's power tariff and the comfort temperature may only be reached at night.

If no particular contract has been signed, the comfort temperature can be reached at any time, including during the day.

The production of DHW takes priority over heating; nevertheless the production of DHW is managed by cycles that regulate the amount of time assigned to heating and production of DHW in the event of simultaneous demand.

Anti-legionella cycles can be programmed.

**• Fan convectors with integrated control system**

Do not use a room sensor in the area in question.

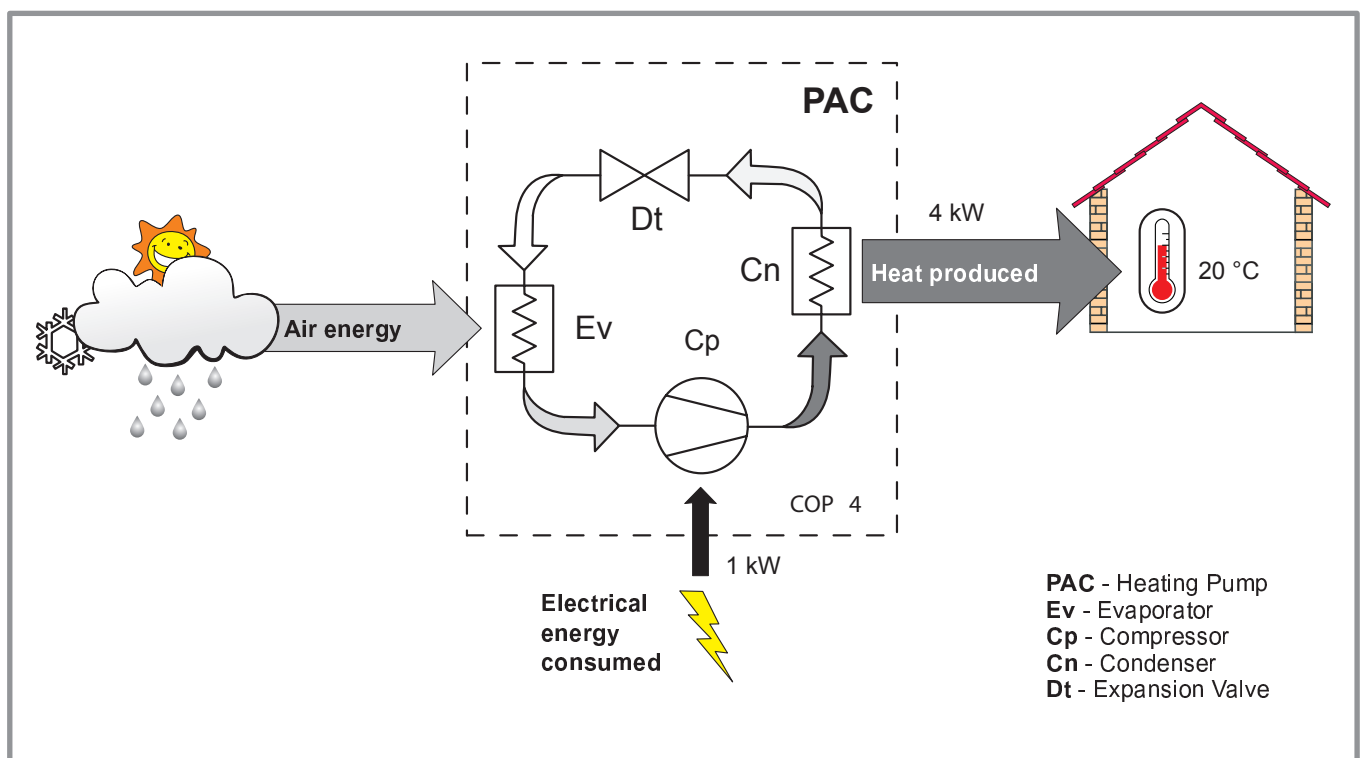


figure 11 - Heat pump operating principle

## 2 Installation

### 2.1 Installation of refrigeration connections

- ⚠ Bend the pipes into position and make holes for them through the floor or walls either with their protective caps in place or after brazing.
- 🔧 Keep the protective caps in place or ends brazed until the **appliance is commissioned**.

The outdoor unit must be connected to the hydraulic unit **only with brand new separately insulated copper connections** (refrigerant quality).

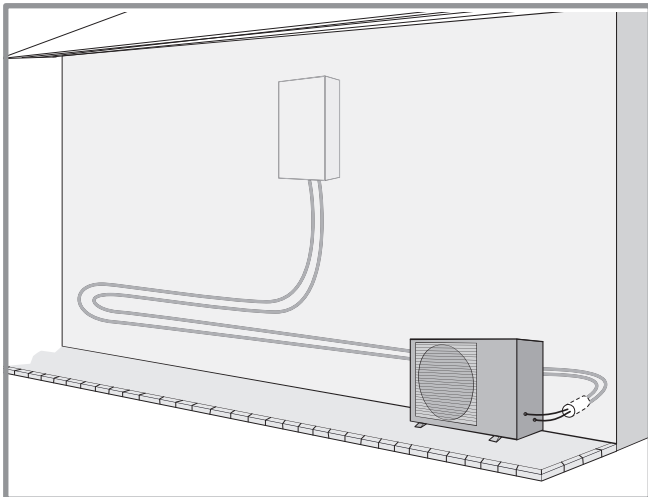
Maintain the same pipe diameters (figure 19).

Observe the maximum and minimum distances between the hydraulic unit and the outdoor unit (figure 19, page 26); the guarantee of performance and the service lifespan of the system depend on this.

**The minimum length of the refrigeration connections for correct operation is 5 m.**

The appliance's warranty will be void if it is operated with refrigeration connections less than 5 m long (tolerance +/- 10%).

If the refrigeration connections are exposed to weathering or UV radiation and the insulation is not resistant, protection must be provided.



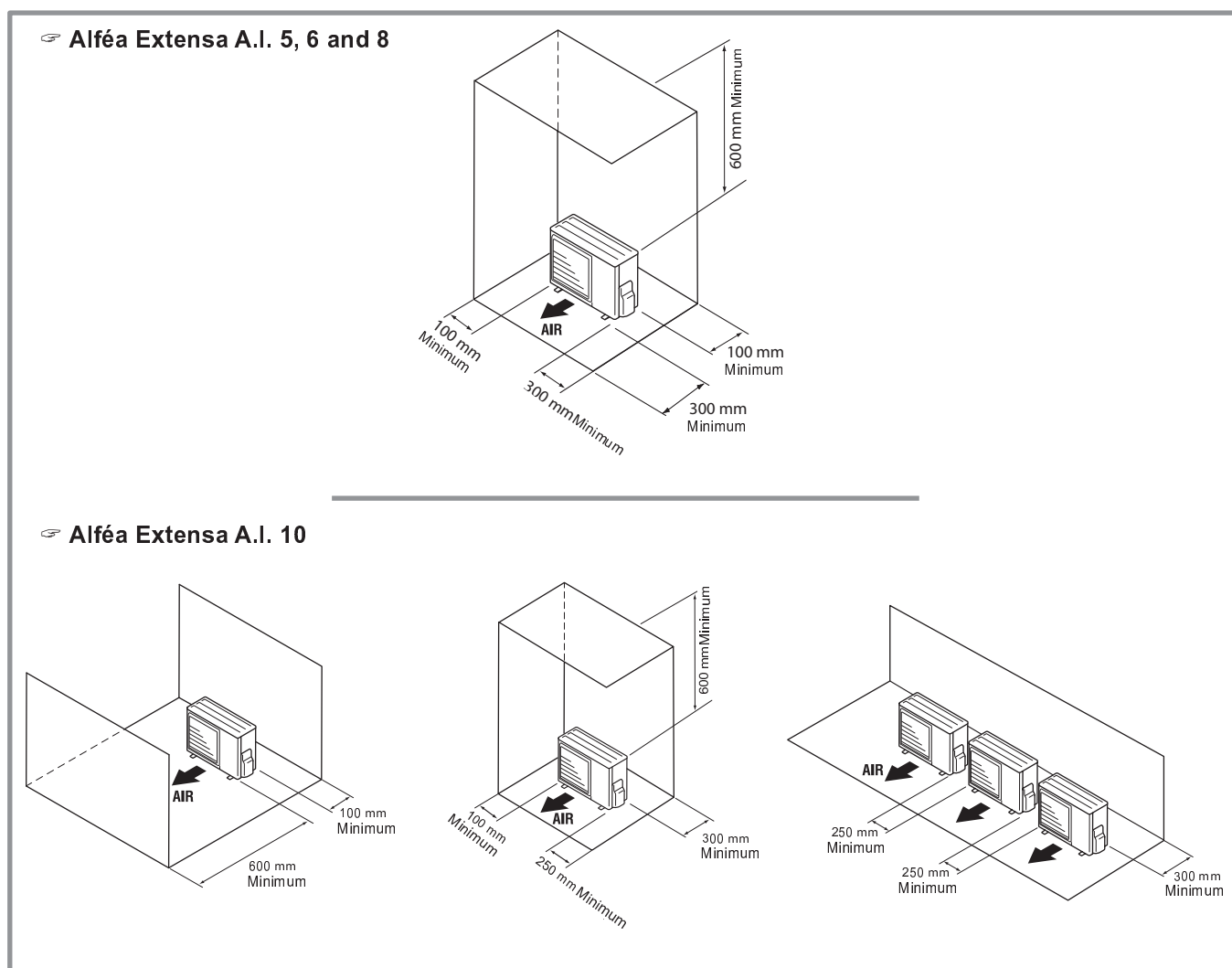
*figure 12 - Example of recommendation for layout of refrigeration connections*



## 2.2 Installation of the outdoor unit

### 2.2.1 Installation precautions

- ☞ **The outdoor unit must only be installed outside. If a shelter is required, it must have broad openings on all 4 sides and installation clearances must be observed (figure 13).**
- Choose the location of the appliance after discussion with the client.
- We recommend choosing a site that is sunny but sheltered from strong cold prevailing winds.
- The unit must be easily accessible for future installation and maintenance work (figure 13).
- Ensure that connections to the hydraulic unit can be made easily.
- The outdoor unit is able to withstand bad weather but avoid installing it in a position where it is likely to be exposed to significant dirt or flowing water (under a defective gutter for example).
- Water may flow out of the outdoor unit when it is operating. Do not install the unit on a paved terrace; choose a well-drained location (e.g. gravel or sand). If installation is carried out in an area where the temperature stays below 0°C for long periods, check that the presence of ice does not present any danger. A drainage pipe can also be connected to the outdoor unit (see figure 14).
- Nothing should obstruct the air circulation through the evaporator and out from the fan (figure 13).
- Keep the outdoor unit away from heat sources and flammable products.
- Make sure that the unit does not disturb the surrounding area or inhabitants (noise level, draught, low temperature of the ejected air freezing the plants in its path).



**figure 13 - Minimum installation clearances around the outdoor unit**



- The surface on which the appliance is installed must:
  - Be permeable (soil, gravel, etc.),
  - Support its weight easily.
  - Allow a solid fastening base,
  - Not transmit any vibration to the dwelling. Anti-vibratory blocks are available as an option.
- The wall bracket cannot be used where it is likely to transmit vibrations. Installing the unit on the ground is preferred.

### 2.2.2 Positioning Outdoor Unit

The outdoor unit must be raised at least 50 mm above ground level. In areas prone to snow, this height should be increased but should not exceed 1.5 m (figure 14).

- Fasten the outdoor unit by means of screws and rubber tightening or toothed lock washers to prevent them from coming loose.

#### ⚠ Warning

In areas with heavy snowfall, if the intake and outlet of the outdoor unit is blocked with snow, heating may become difficult and a failure is likely to occur.

Construct a canopy or place the unit on a high stand (local configuration).

- Place the unit on a solid stand in order to minimise impacts and vibrations.
- Do not place the unit directly on the ground as this will cause problems.

### 2.2.3 Condensate drain pipe

(see figure 14).

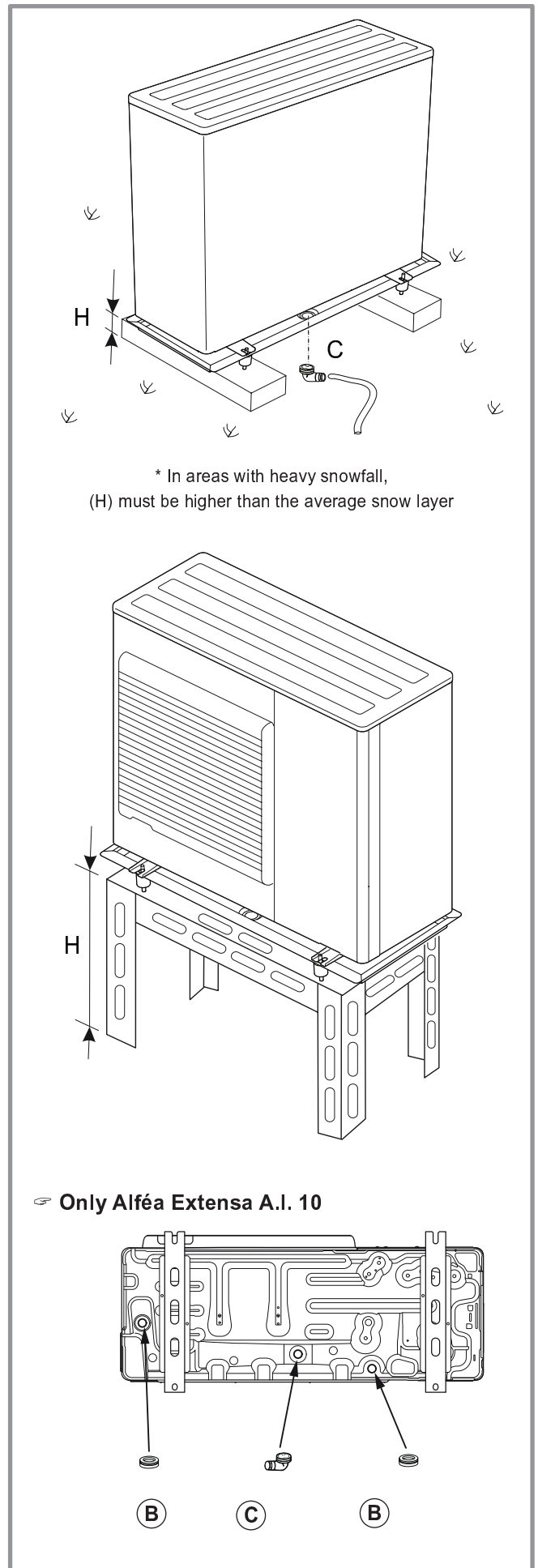
#### ⚠ The outdoor unit can generate a large volume of water (called condensate).

If the use of a drain pipe is necessary:

- Install the condensate drain pan (optional / code 074008) for Alféa Extensa A.I. models 5, 6 and 8 only.
- Use the elbow provided (C) and connect a 16 mm-diameter hose for draining the condensate.
- Use the plug(s) provided (B) to block the opening of the condensate drain pan.

Allow for the condensate to flow away under the force of gravity (waste water, rain water, gravel bed).

#### ⚠ If installation is carried out in an area where the temperature stays below 0°C for long periods, equip the drain pipe with trace heating to avoid it icing up. Trace heating must heat not only the drain pipe but also the bottom of the appliance's condensate collection tank.



\* In areas with heavy snowfall, (H) must be higher than the average snow layer

#### ⚠ Only Alféa Extensa A.I. 10

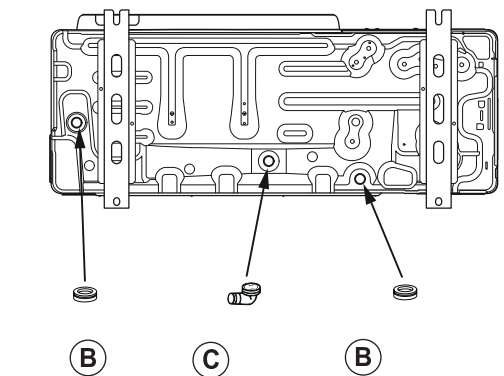
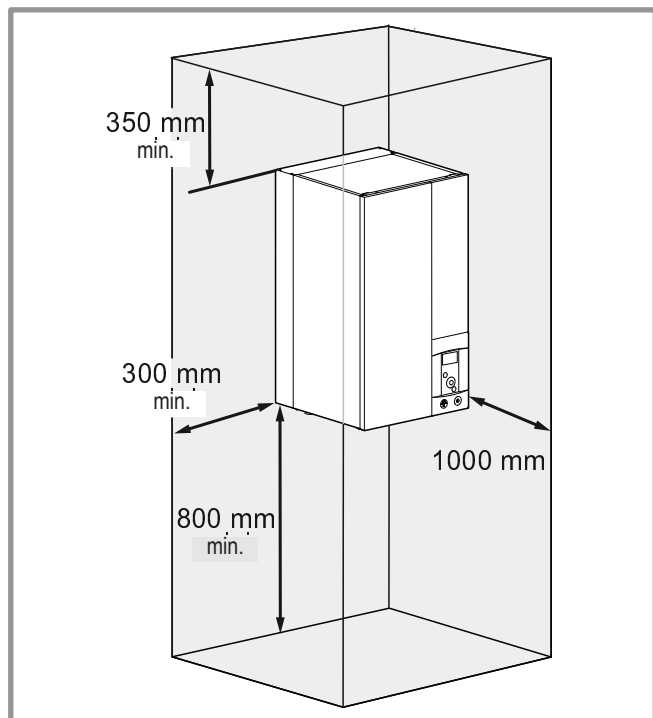


figure 14 - Installation of the outdoor unit evacuation of condensates

## 2.3 Installation of the hydraulic unit

### 2.3.1 Installation precautions

- Choose the location of the appliance after discussion with the client.
- The installation space should comply with current regulations.
- To facilitate maintenance and allow access to the various parts, we recommend that you provide sufficient space all the way around the hydraulic unit.



### 2.3.2 Positioning the hydraulic unit

- Fix the bracket **S** securely (4 screws and plugs) to a strong, flat wall (not a light partition) ensuring that it is correctly levelled.
- Hook the appliance onto its bracket **S**.

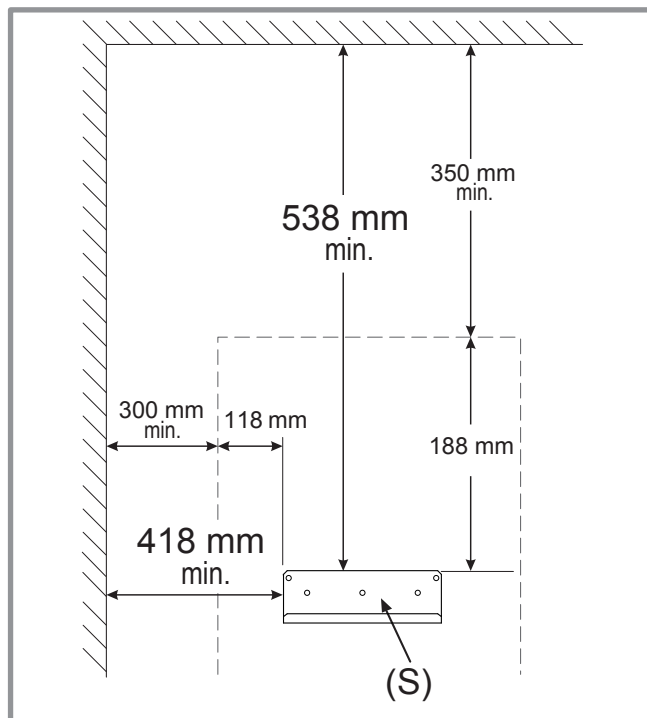


figure 15 - Mounting bracket

- According to EN 378-1 standard (heat pumps: safety and environmental requirements), the room where the HP is to be installed shall have a minimum volume of: machine charge in kg / 0.44kg/m<sup>3</sup>. If not, it must be ensured that:
  - Either the room is mechanically ventilated,
  - Or the room's door remains open while the installer is working on the HP.
- Be careful not to bring flammable gas near the heat pump during installation, in particular when brazing is required. The appliances are not fireproof and should not therefore be installed in an explosive environment.
- To avoid condensation inside the condenser, remove the refrigeration circuit caps **only when making the refrigeration connections**.
- If the refrigeration connection is only performed at the end of the installation, make sure that the refrigeration circuit caps\* remain in place and tight throughout the installation.
  - \* (Hydraulic unit side and outdoor unit side).
- After each maintenance operation on the refrigeration circuit and before the final connection, take care to put the caps back in position to avoid any pollution of the refrigeration circuit (sealing with adhesive is prohibited).

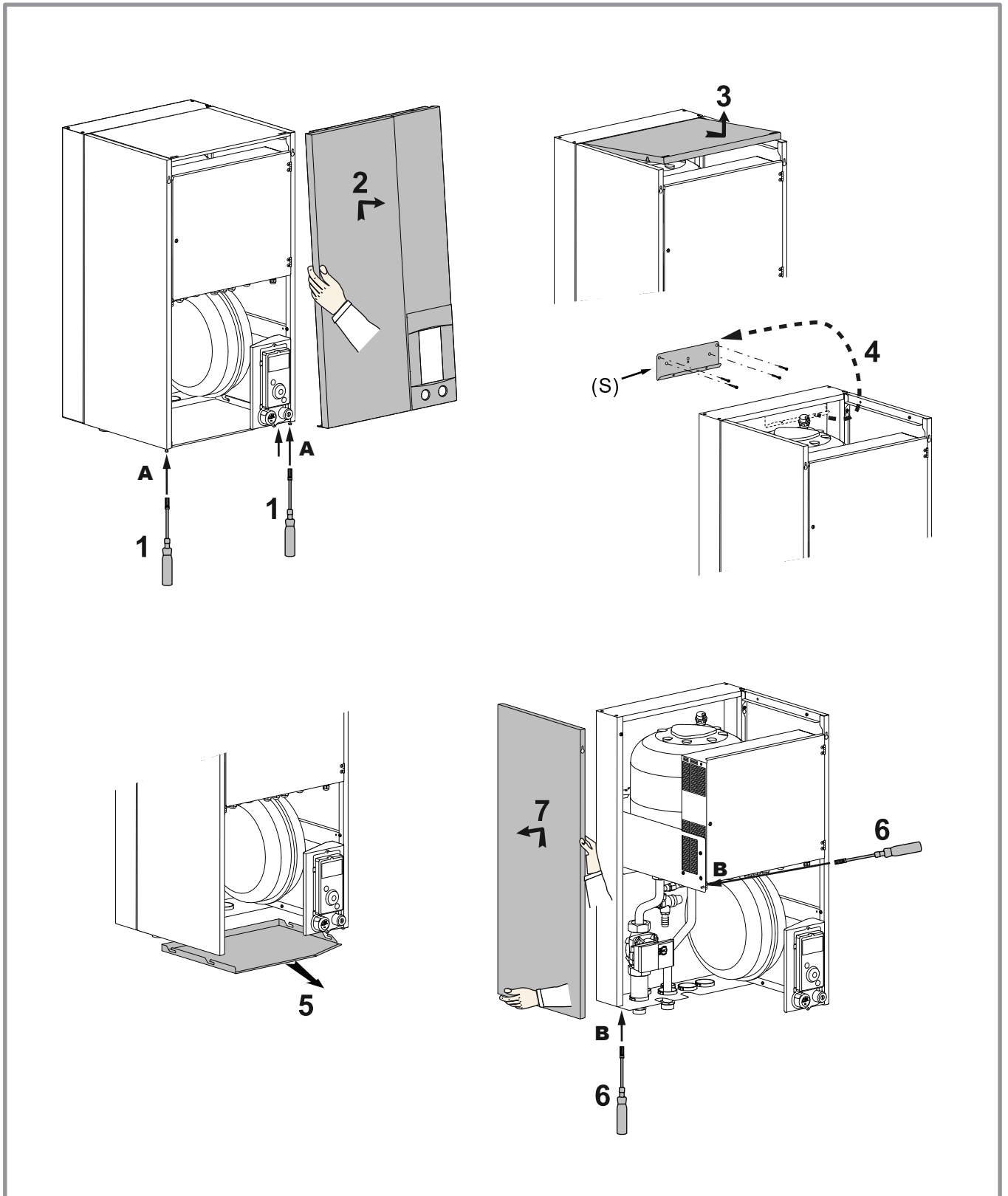


figure 16 - Removing the casing

## 3 Refrigeration connections and filling the installation with gas

☞ **This appliance uses refrigerant R410A.**

Comply with the legislation on handling of refrigerants.

### 3.1 Rules and precautions

☞ **Connections must be made on the same day the installation is filled with gas (see para. "Filling the installation with gas", page 28).**

#### • Minimum tools required

- Set of pressure gauges (*Manifold*) with hoses exclusively designed for HFCs (Hydrofluorocarbons).
- Vacuum gauge with isolation valves.
- Vacuum pump specifically for HFCs (using a standard vacuum pump is allowed if, and only if, it is fitted with a non-return valve on the suction side).
- Flaring tool, Pipe-cutter, Deburring tool, Spanners.
- Certified refrigerant leak detector (sensitivity 5g/year).

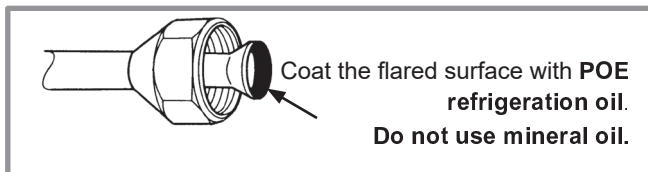
☞ **Using tools that have been in contact with HCFCs (R22 for example) or CFCs is prohibited.**

☞ **The manufacturer declines any liability with regard to the warranty if the above instructions are not observed.**

#### • Flared connections

☞ **Lubricating with mineral oil (for R12, R22) is prohibited.**

- Lubricate only with polyolester oil (POE). If POE is not available, fit without lubrication.



#### • Brazing the refrigeration circuit (if necessary)

- Silver brazing (40% minimum recommended).
- Brazing only with dry nitrogen internal flux.

#### • Other remarks

- After each maintenance operation on the refrigeration circuit and before final connection, take care to put the caps back in position to avoid any pollution of the refrigeration circuit.
- To eliminate any filings getting into the pipes, use dry nitrogen to avoid introducing any humidity that may adversely affect the appliance's operation. In general, take every precaution to avoid humidity penetrating into the appliance.
- Proceed with thermal insulation of the gas and liquid pipes to avoid any condensation. Use pipe insulators resistant to temperatures over 90°C. In addition, if the humidity level in areas where the refrigerant pipes are installed is expected to exceed 70%, protect the pipes with pipe insulators. Use an insulating material thicker than 15mm if the humidity level reaches 70 ~ 80%, and an insulating material thicker than 20mm if the humidity exceeds 80%. If the recommended thicknesses are not observed under the conditions described above, condensation will form on the surface of the insulation material. Lastly, use insulating sleeves whose thermal conductivity will be less than or equal to 0.045 W/mK if the temperature is equal to 20°C. The insulation must be impermeable in order to withstand the passage of vapour during the defrosting cycles (glass wool is prohibited).

### 3.2 Shaping the refrigeration pipes

#### 3.2.1 Bending

The refrigeration pipes must be shaped only on a bending machine or with a bending spring in order to avoid any risk of crushing or breaking them.

##### ☞ **Warning!**

- Remove the insulation material from the section of pipe to be bent.
- Do not bend copper to an angle greater than 90°.
- Never bend pipes more than 3 times in the same place otherwise traces of fracturing may appear (hardening of the metal).

### 3.2.2 Creating the flarings

- Cut the pipe to an appropriate length with a pipe-cutter without damaging it.
- Carefully deburr it, holding the pipe pointing downward to avoid introducing filings into the pipe.
- Remove the flared connection nut situated on the valve to be connected and slide the pipe into the nut.
- Proceed to flare it, letting the pipe protrude out of the flaring tool's tube.

After flaring, check the state of the working radius (**L**). This must not present any scratches or signs of fracturing. Also check the dimension (**B**).

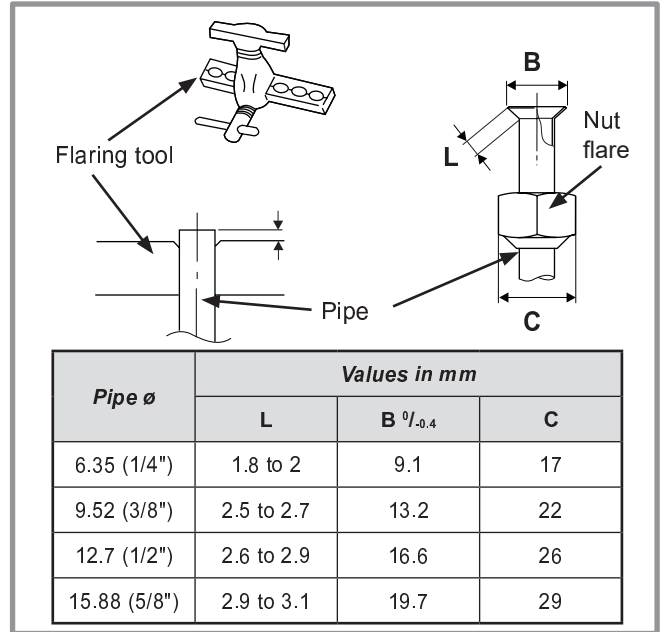


figure 17 - Flaring of the flared connections

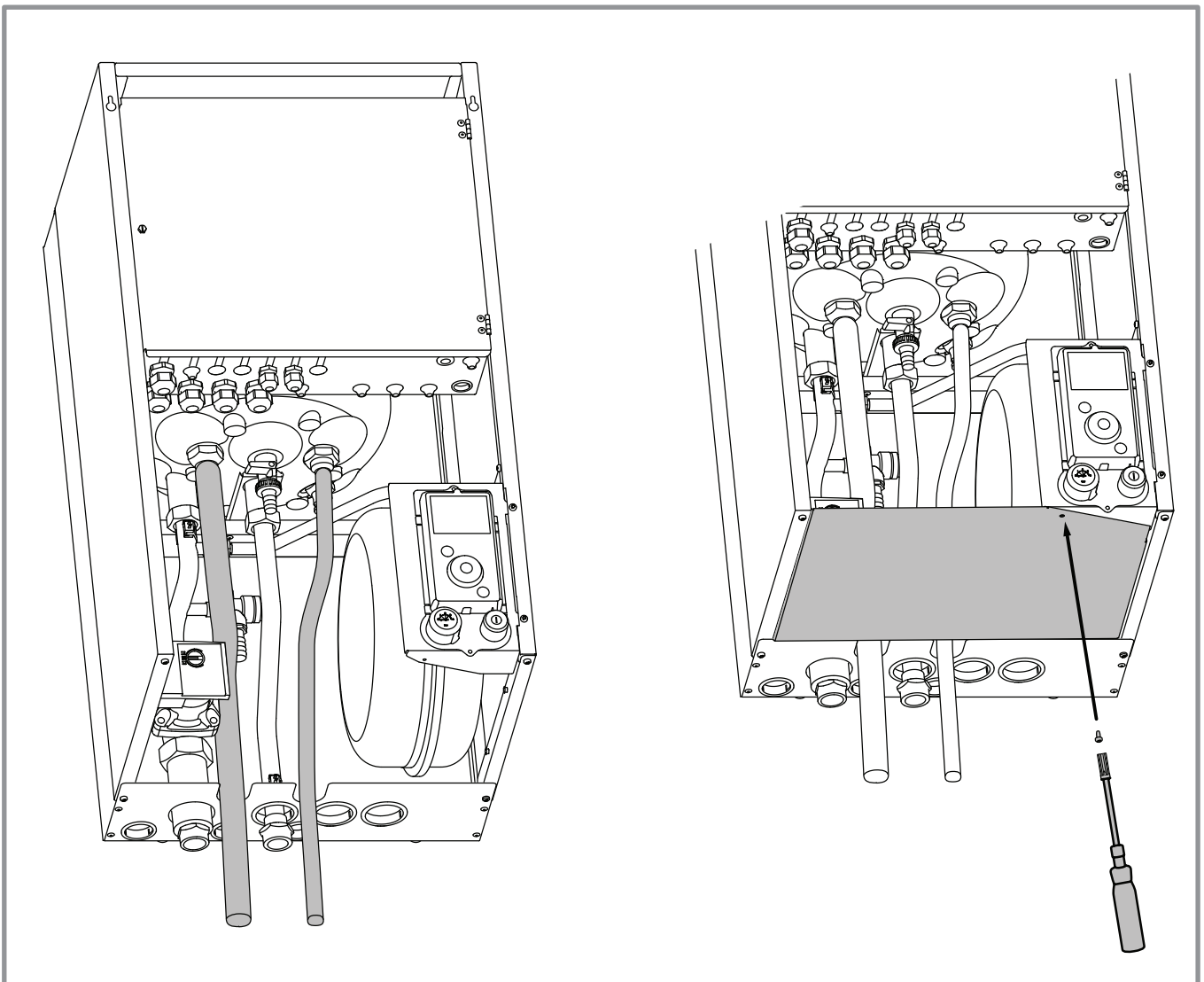


figure 18 - Feeding through flared connections

| HP models                       | Alféa Extensa A.I. 5, 6         |                  | Alféa Extensa A.I. 8 |                  | Alféa Extensa A.I. 10 |           |           |
|---------------------------------|---------------------------------|------------------|----------------------|------------------|-----------------------|-----------|-----------|
|                                 | gas                             | liquid           | gas                  | liquid           | gas                   | liquid    |           |
| Outside unit connections        | 1/2"                            | 1/4"             | 5/8"                 | 1/4"             | 5/8"                  | 3/8"      |           |
| Refrigeration connections       | Diameter:                       | (D1) 1/2"        | (D2) 1/4"            | (D1) 5/8"        | (D2) 1/4"             | (D1) 5/8" | (D2) 3/8" |
|                                 | Minimum length (L)              | 5                |                      | 5                |                       | 5         |           |
|                                 | Maximum length** (L)            | 30               |                      | 30               |                       | 30        |           |
|                                 | Maximum Height Difference** (D) | 20               |                      | 20               |                       | 20        |           |
| Male-female adapter (reduction) | (R1) 1/2" - 5/8"                | (R2) 1/4" - 3/8" | without              | (R2) 1/4" - 3/8" | without               |           |           |
| Hydraulic unit connections      | 5/8"                            | 3/8"             | 5/8"                 | 3/8"             | 5/8"                  | 3/8"      |           |

\*\* : Including any additional filling (see "Additional filling", page 31).

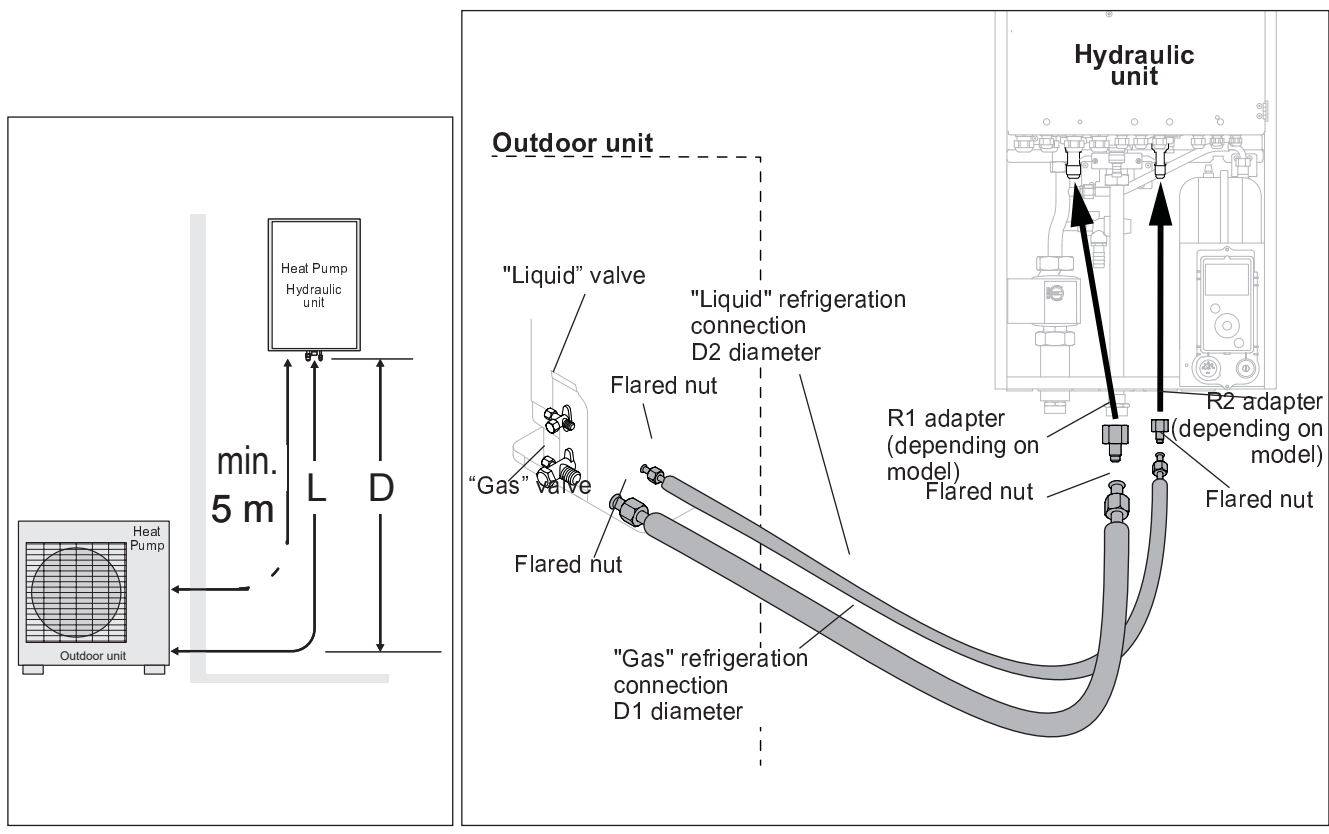


figure 19 - Refrigeration connections (authorised diameters and lengths)

### 3.3 Checks and connection

☞ The refrigeration circuit is very sensitive to dust and humidity: check that the area around the connection is clean and dry before removing the plugs protecting the refrigeration connectors.

☞ **Indicated blowing value:** 6 bar for minimum 30 seconds for connection of 20 m.

**Checking the gas connection (large diameter).**

① Connect the gas connection to the outdoor unit. Blow dry nitrogen into the gas connection and inspect its end:

- If water or impurities emerge, use a brand new refrigeration connection.

② Otherwise, proceed with flaring and connect the refrigeration connection to the outdoor unit immediately.

**Checking the liquid connection (small diameter).**

③ Connect the liquid connection to the hydraulic unit. Blow nitrogen into the **gas-condenser-liquid connection** system and inspect its end (outdoor unit side).

- If water or impurities emerge, use a brand new refrigeration connection.

- Otherwise, proceed with flaring and connect the refrigeration connection to the outdoor unit immediately.

☞ **Take particular care to position the tube opposite its connector so as not to risk damaging the threads. A properly aligned connector can be attached easily by hand without much force being required.**

- Where necessary, connect an adapter (reducer) 1/4"- 3/8" or 1/2"- 5/8" (see figure 19).

- Remove the plugs from the pipes and the refrigeration connections.

- **Warning!** Avoid positioning the gas pipe in front of the pump.

- Comply with the indicated tightening torques.

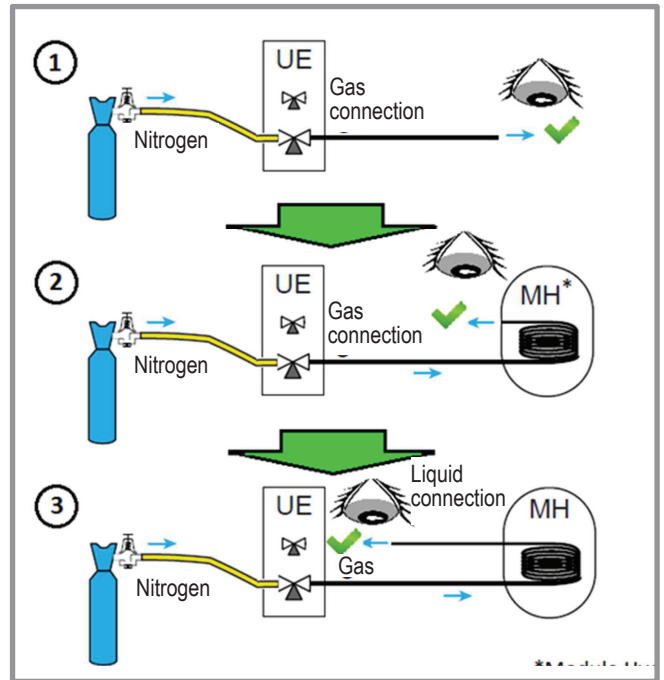


figure 21 - Checking refrigeration connections

| Designation                | Tightening torque |
|----------------------------|-------------------|
| Flared nut 6.35 mm (1/4")  | 14 to 18 Nm       |
| Flared nut 9.52 mm (3/8")  | 33 to 42 Nm       |
| Flared nut 12.7 mm (1/2")  | 50 to 62 Nm       |
| Flared nut 15.88 mm (5/8") | 63 to 77 Nm       |
| Plug (A) 3/8", 1/4"        | 20 to 25 Nm       |
| Plug (A) 1/2"              | 25 to 30 Nm       |
| Plug (A) 5/8"              | 30 to 35 Nm       |
| Plug (B) 3/8", 5/8"        | 10 to 12 Nm       |
| Plug (B) 1/2", 1/4"        | 12.5 to 16 Nm     |

Plug (A) and (B) : see figure 22, page 29.

figure 20 - Tightening torques

### 3.4 Filling the installation with gas

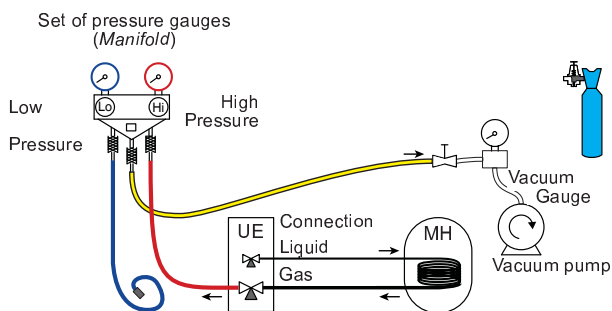
- ☞ This operation is reserved for installers familiar with the legislation for handling refrigerants.
- ☞ Creating a vacuum with a calibrated vacuum pump is essential (see APPENDIX 1).
- ☞ Never use equipment used previously with any refrigerant other than a HFC.
- ☞ Only remove the refrigeration circuit caps when performing the refrigeration connections.

☞ **If the outdoor temperature is below +10°C:**

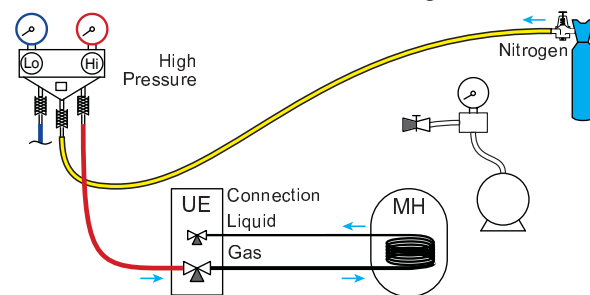
- You must use the triple evacuation method (see APPENDIX 2).
- We recommend installing a dehydrator filter (and this is highly recommended if the outdoor temperature is below +5°C).

#### APPENDIX 2 Triple Evacuation Method

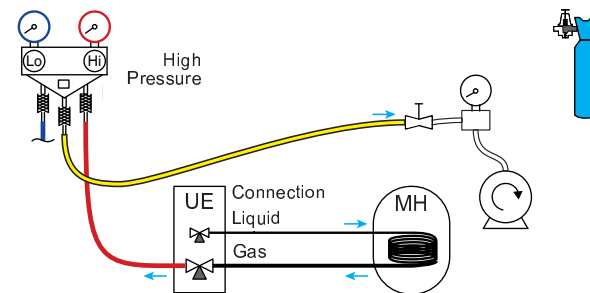
- Connect the *Manifold* high-pressure hose to the filling hole (gas connection). A valve must be fitted to the vacuum pump's hose so you can shut it off.
- a) Create a vacuum until the desired value is reached and maintain this value for 30 mins (see table in APPENDIX 1),



- b) Switch off the vacuum pump, close the valve at the end of the service hose (yellow), connect this hose to the expansion valve on the nitrogen bottle, fill to 2 bar, close the hose's valve again,



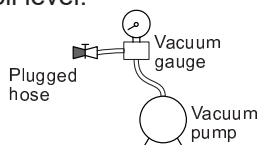
- c) Connect this hose to the vacuum pump again, switch it on and slowly open the hose's valve.



- d) Repeat this operation at least three times.
- ☞ **Remember:** performing these operations using refrigerant is strictly prohibited.

#### APPENDIX 1 Method for calibrating and checking a vacuum pump

- Check the vacuum pump's oil level.
- Connect the vacuum pump to the vacuum gauge as shown in the diagram.
- Pump down for 3 minutes.
- After 3 minutes, the pump reaches its threshold vacuum limit and the vacuum gauge's needle stops moving.
- Compare the obtained pressure value against the table of values. Depending on the temperature, this pressure should be lower than that shown in the table.
- => If this is not the case, replace the gasket, hose or pump.

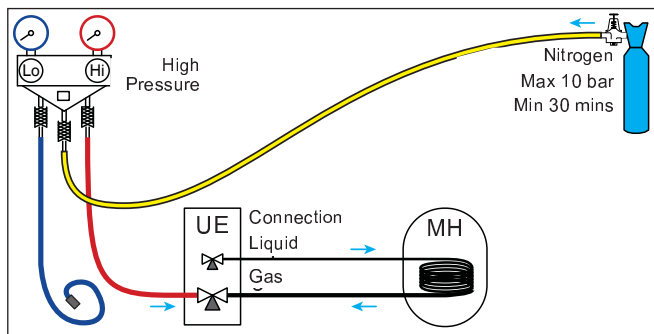


| T °C        | 5°C < T < 10°C | 10°C < T < 15°C | 15°C < T |
|-------------|----------------|-----------------|----------|
| <b>Pmax</b> |                |                 |          |
| - bar       | 0.009          | 0.015           | 0.020    |
| - mbar      | 9              | 15              | 20       |

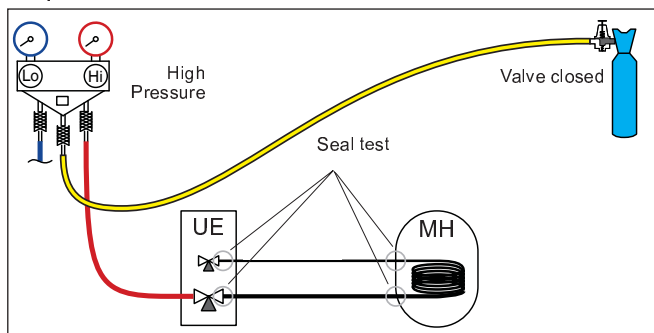


### 3.4.1 Seal test

- Remove the protective plug (B) from the filling hole (Schrader) in the gas valve (large diameter).
- Connect the high pressure hose from the *Manifold* to the filling hole (figure 22).
- Connect the nitrogen bottle to the *Manifold* (only use dehydrated nitrogen type U).
- Fill the refrigeration circuit with nitrogen to maximum 10 bar (gas-condenser-liquid connection system).
- Maintain this pressure in the circuit for 30 minutes.



- If a pressure drop occurs, bring it back down to 1 bar and look for leaks with a leak detector, repair and repeat the test.



- Once the pressure is steady and there are no leaks, empty the nitrogen by leaving the pressure above atmospheric pressure (between 0.2 and 0.4 bar).

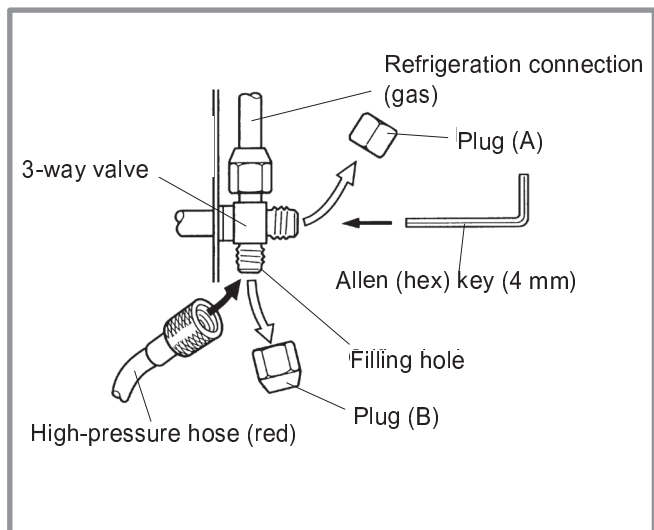
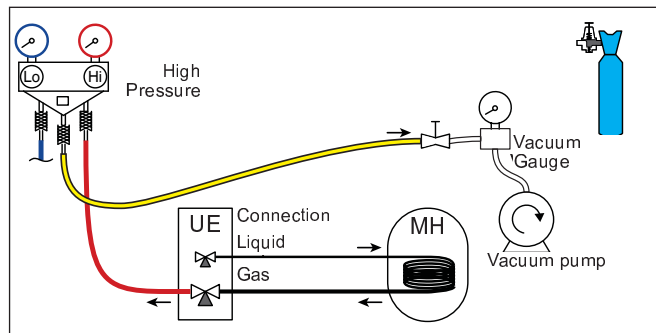


figure 22 - Connecting the hose to the gas valve

### 3.4.2 Creating a vacuum

**⚠ The triple evacuation method (APPENDIX 2) is strongly recommended for any installation and especially when the outdoor temperature is below 10°C.**

- If necessary, calibrate the *Manifold* pressure gauge(s) to 0 bar. Adjust the vacuum gauge to current atmospheric pressure (≈ 1013 mbar).
- Connect the vacuum pump to the *Manifold*. Connect a vacuum gauge if the vacuum pump is not equipped with one.




- Create a vacuum until the residual pressure\* in the circuit falls below the value given in the following table (\* measured with the vacuum gauge).

| T °C              | 5°C < T < 10°C | 10°C < T < 15°C | 15°C < T |
|-------------------|----------------|-----------------|----------|
| <b>Pmax - bar</b> | 0.009          | 0.015           | 0.020    |
| <b>- mbar</b>     | 9              | 15              | 20       |

- Let the pump continue to operate for another 30 minutes minimum after reaching the required vacuum.
- Close the *Manifold* valve, then stop the vacuum pump **without disconnecting any of the hoses in place.**

### 3.4.3 Filling with gas

 **If additional filling is required, do it before filling the hydraulic unit with gas. Refer to paragraph "Additional filling", page 31.**

- Remove the access plugs (**A**) from the valve controls.
- First of all fully open the liquid valve (small) and then the gas valve (large) using an Allen (hex) key (anti-clockwise direction) without using excessive force against the stop.
- Quickly disconnect the hose from the *Manifold*.
- Refit the 2 original caps (be sure they are clean) and tighten them to the recommended tightening torque indicated in the table [figure 20, page 27](#). A seal is achieved in the caps only with metal to metal.

The outdoor unit does not contain any additional refrigerant allowing the installation to be bled.

Bleeding by flushing is strictly forbidden.

### 3.4.4 Final sealing test

The sealing test must be carried out using a certified gas detector (sensitivity of 5g/year).

Once the refrigeration circuit has been gassed as described above, check that all the refrigeration connectors are gas-tight (4 connectors). If the flarings have been made correctly, there should be no leaks. If necessary, check the seal of the refrigeration valve caps.

☞ **If the event of a leak:**

- Return the gas to the outdoor unit (pump down). The pressure should not drop below atmospheric pressure (0 relative bar read on the *Manifold*) so as not to contaminate the recovered gas with air or moisture.
- Redo the connection,
- Restart the commissioning procedure.

### 3.4.5 Additional filling

The amount needed to fill the outdoor units corresponds to the maximum distances between the outdoor unit and the hydraulic unit as defined here [page 26](#). If the distances are greater, an additional amount of R410A is required. For each type of appliance, this additional amount depends on the distance between the outdoor unit and the hydraulic unit. Any additional filling with R410A must be carried out by an approved specialist.

| <b>Alféa Extensa A.I. 5, 6, 8</b> (Outdoor unit WOYA060LFCA, WOYA080LFCA) |  |  |  |  |  |  |
|---|--|--|--|--|--|--|
| 15m < Length of the connections ≤ 30m                                     |  |  |  |  |  |  |
| (Length of the connections - 15) x 25 g/m = g                             |  |  |  |  |  |  |

| Models / Factory fill      | Length of the connections in m | 16   | 17   | X                               | 29   | 30   |
|----------------------------|--------------------------------|------|------|---------------------------------|------|------|
| Extensa A.I. 5, 6 / 1100 g | Fill amount in g               | 1125 | 1150 | $1100 + (X - 15) \times 25 = g$ | 1450 | 1475 |
| Extensa A.I. 8 / 1400 g    |                                | 1425 | 1450 | $1400 + (X - 15) \times 25 = g$ | 1750 | 1775 |

| <b>Alféa Extensa A.I. 10</b> (Outdoor unit WOYA100LFTA) |  |  |  |  |  |  |
|---|--|--|--|--|--|--|
| 15m < Length of the connections ≤ 30m                   |  |  |  |  |  |  |
| (Length of the connections - 15 m) x 40 g/m = g         |  |  |  |  |  |  |

| Model / Factory fill     | Length of the connections in m | 16   | 17   | X                               | 29   | 30   |
|--------------------------|--------------------------------|------|------|---------------------------------|------|------|
| Extensa A.I. 10 / 1800 g | Fill amount in g               | 1840 | 1880 | $1800 + (X - 15) \times 40 = g$ | 2360 | 2400 |

Filling must be carried out after creating a vacuum and before gassing the hydraulic unit, as follows:

- Disconnect the vacuum pump (yellow hose) and connect a bottle of R410A in its place **in the fluid extraction position**.
- Open the bottle's valve.
- Bleed the yellow hose by loosening it slightly on the *Manifold* side.
- Place the bottle on scales with a minimum accuracy of 10g. Note the weight.
- Carefully open the blue valve slightly and check the value shown on the scales.
- As soon as the value displayed has dropped by the value for the calculated additional fill amount, close the bottle and disconnect it.
- Quickly disconnect the hose connected to the appliance.
- Proceed to fill the hydraulic unit with gas.

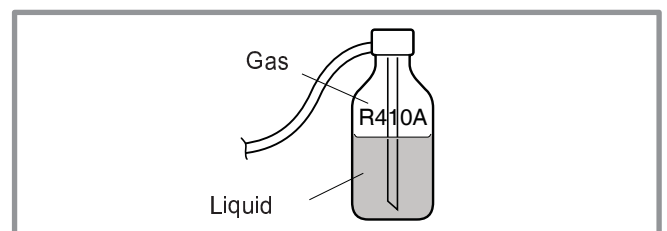


figure 23 - Gas bottle R410A

#### ⚠ Warning!

- Only use R410A!
- Only use tools suitable for R410A (set of pressure gauges).
- Always fill in the liquid phase.
- Never exceed the maximum length or difference in level.

### 3.4.6 Recovering the refrigerant in the outdoor unit

☞ **Before performing any maintenance, make sure that all power supplies have been cut off.**

☞ ⚠ **Stored energy: after cutting off the power supplies, wait for 1 minute before accessing the internal parts of the equipment.**

Perform the following procedures to collect the refrigerant.

- **1-** Switch the start/stop switch to the **0** position (mark **3**, figure 9, page 15). Disconnect the outdoor unit's power supply.
- **2-** Remove the front panel. Open the power control box. Then turn **ON** the **DIP SW1** on the interface board,
- **3-** Reconnect the power supply. Switch the start/stop switch to position 1. (The green and red LEDs start flashing; 1s on / 1s off). The outdoor unit begins cooling operation about 3 minutes after being switched on.
- **4-** The circulation pump starts.
- **5-** Close the liquid valve on the outdoor unit **maximum** 30 secs after the outdoor unit starts.
- **6-** Close the gas valve on the outdoor unit when the pressure is below 0.02 relative bar read on the *Manifold*, or 1-2 minutes after the liquid valve has been closed, while the outdoor unit continues to operate.
- **7-** Disconnect the power supply.
- **8-** Recovery of the refrigerant is complete.

Notes:

- The pump down operation cannot be activated even if **DIP SW1** is set to **ON** while the heat pump is in operation.
- Do not forget to switch **DIP SW1** back to **OFF** after the pump down operation has been completed.
- Select the heating mode.
- If the pump down operation fails, try the operation again by turning the machine off and opening the "liquid" and "gas" valves. Then after 2-3 minutes, restart the pump down operation.

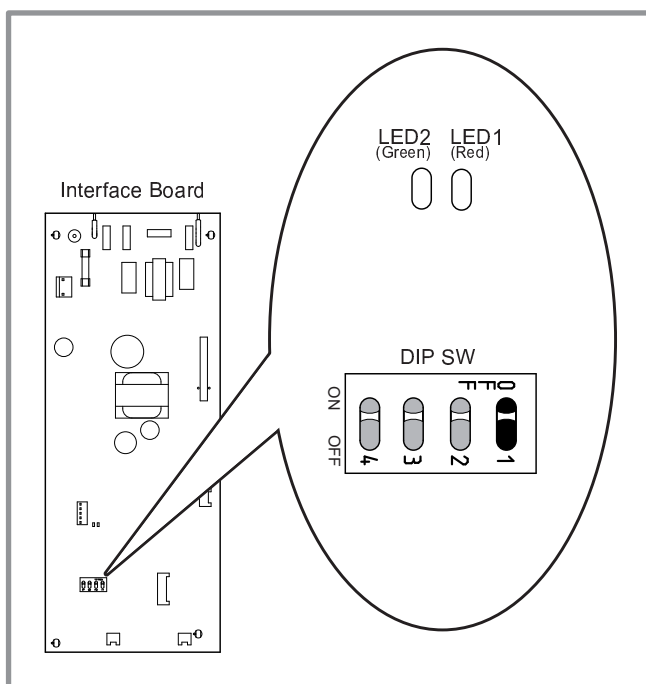


figure 24 - Location of DIP switches and LEDs on the hydraulic unit interface board



A series of horizontal lines spaced evenly down the page, providing a template for handwritten notes or instructions.

## 4 Hydraulic connections

---

### 4.1 Connecting the hydraulic unit to the heating circuit

#### 4.1.1 Flushing the installation

Before connecting the hydraulic unit to the installation, **rinse out the heating system correctly** to eliminate any particles that may affect the appliance's correct operation.

Do not use solvents or aromatic hydrocarbons (petrol, paraffin, etc.).

In the case of an old installation, provide a sufficiently large decanting pot with a drain on the return from the boiler and at the lowest point in the system in order to collect and remove any impurities.

Add an alkaline product and a dispersant to the water.

Flush the installation several times before proceeding to the final filling.

#### 4.1.2 Connections

The heating circulation pump is built into the hydraulic unit.

Connect the central heating pipes to the hydraulic unit correctly according to the direction of circulation.

The pipe between the hydraulic unit and the heat collector must be at least one inch in diameter (26x34 mm).

Calculate the diameter of the pipes based on flow rates and lengths of the hydraulic systems.

Tightening torque: 15 to 35 Nm.

Use union connectors to make it easier to remove the hydraulic unit.

Try to use connection hoses to avoid transmitting noise and vibrations to the building.

Connect the drains from the drain valve and the safety valve to the main sewer system.

Verify that the expansion system is correctly connected. Check the expansion vessel pressure (pre-inflated to 1 bar) and the safety valve is calibrated.

The flow rate of the installation must be at least equal to the minimum value mentioned in the specifications table (section 1.4, page 7). The installation of a regulator (other than those included in our configurations) which reduces or stops the flow through the hydraulic unit is prohibited.

### 4.1.3 Volume of the heating system

**You must maintain the minimum installation water volume.** Install a buffer tank on the return from the heating circuit in case the volume is lower than this value. Where the system is fitted with one or more thermostatic valves, you must ensure that this minimum water volume is able to circulate.

| Appliance             | Theoretical volume in litres PER CIRCUIT (excl. HP) |                          |                                      |
|-----------------------|---|--------------------------|--------------------------------------|
|                       | Mandatory Fan-coil                                  | Recommendation Radiators | Recommendation Heating-cooling floor |
| Alféa Extensa A.I. 5  | 23  | 12                       | 2                                    |
| Alféa Extensa A.I. 6  | 23  | 12                       | 2                                    |
| Alféa Extensa A.I. 8  | 36  | 33                       | 15                                   |
| Alféa Extensa A.I. 10 | 49  | 44                       | 22                                   |

## 4.2 Filling and bleeding the installation

Check the pipe fixings, tightness of the connectors and the stability of the hydraulic unit.

Check the direction in which the water is circulating and that all the valves are open.

Proceed to fill the installation.

Do not operate the circulation pump during filling. Open all the drain valves in the installation and the bleeder valve on the hydraulic unit (**P**) to expel the air contained in the pipes.

Close the drain and bleeder valves and add water until the pressure in the hydraulic circuit reaches 1 bar.

Check that the hydraulic circuit has been bled correctly.

Check there are no leaks.

After the "Commissioning", page 46 stage, and once the machine has started, bleed the hydraulic unit again.

- ☞ **Precise filling pressure is determined by the water pressure in the installation.**

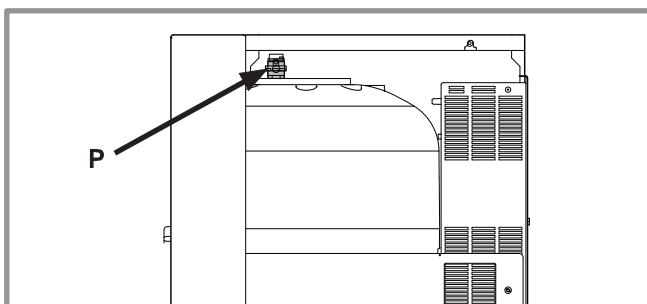


figure 25 - Hydraulic unit automatic bleeder valve

### 4.3 Heating circulation pump speed settings

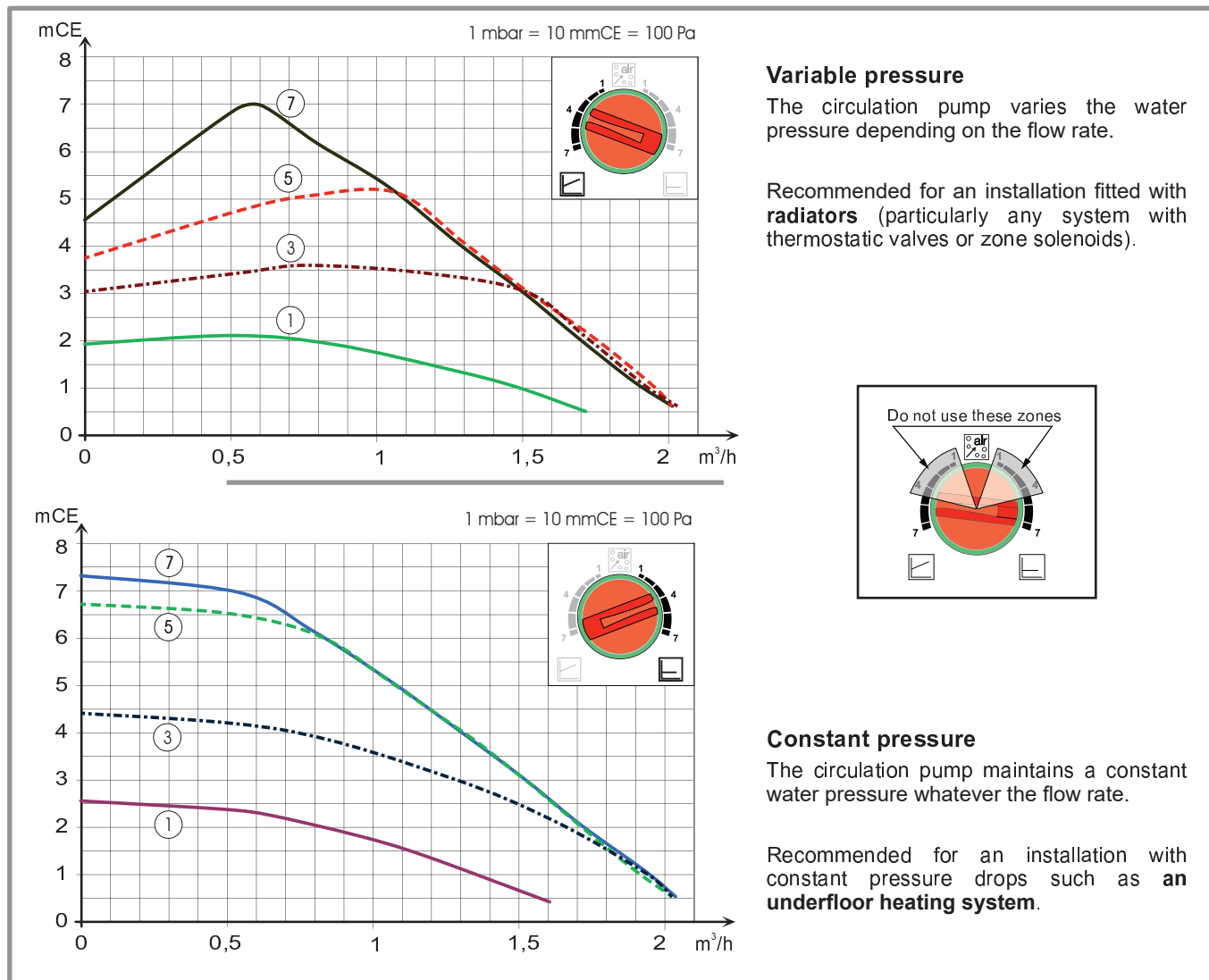


figure 26 - Available hydraulic pressures and flow rates

|  |                  |  |
|--|------------------|--|
|  | <b>OFF</b>       | LED Off:<br>The circulation pump is not working, no power supply.  |
|  |                  | Green LED On:<br>The circulation pump is operating normally.       |
|  | <b>10 min.</b>   | Green LED flashing:<br>Venting mode in operation (10 minutes).     |
|  | <b>Auto Test</b> | Red/green LED flashing:<br>Operating error with automatic restart. |
|  |                  | Red LED flashing:<br>Operating error.                              |

figure 27 - Operating signals of the HP circulation pump



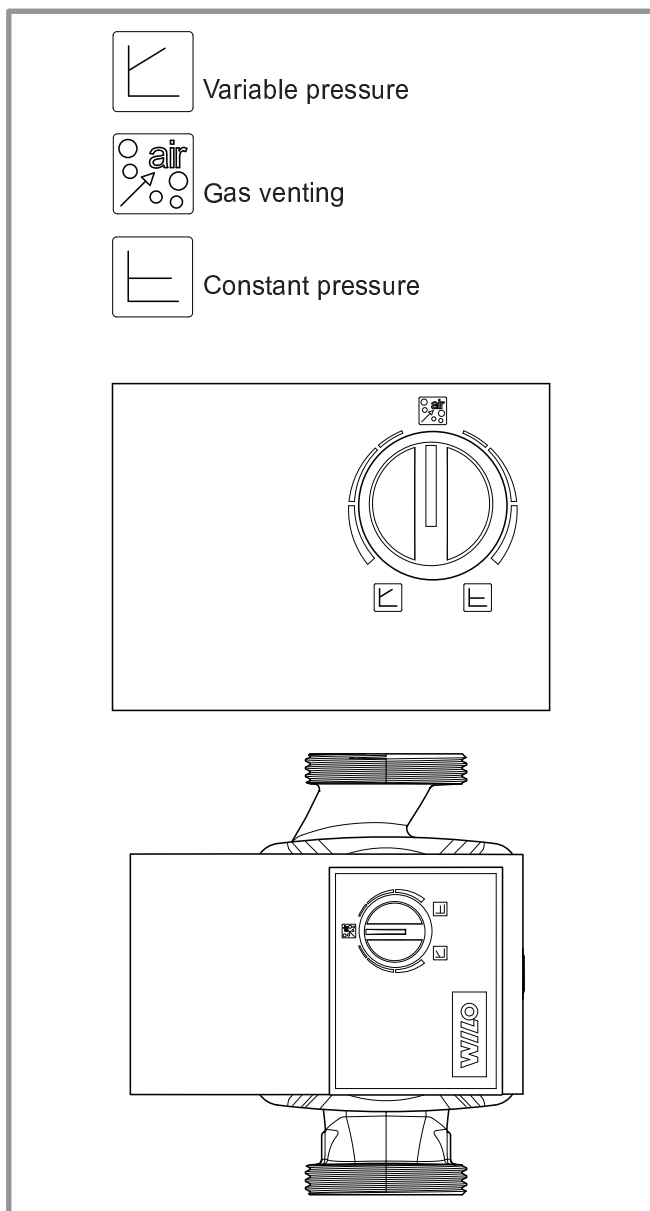


figure 28 - Circulation pump control button

Circulation pump fouled or stuck:

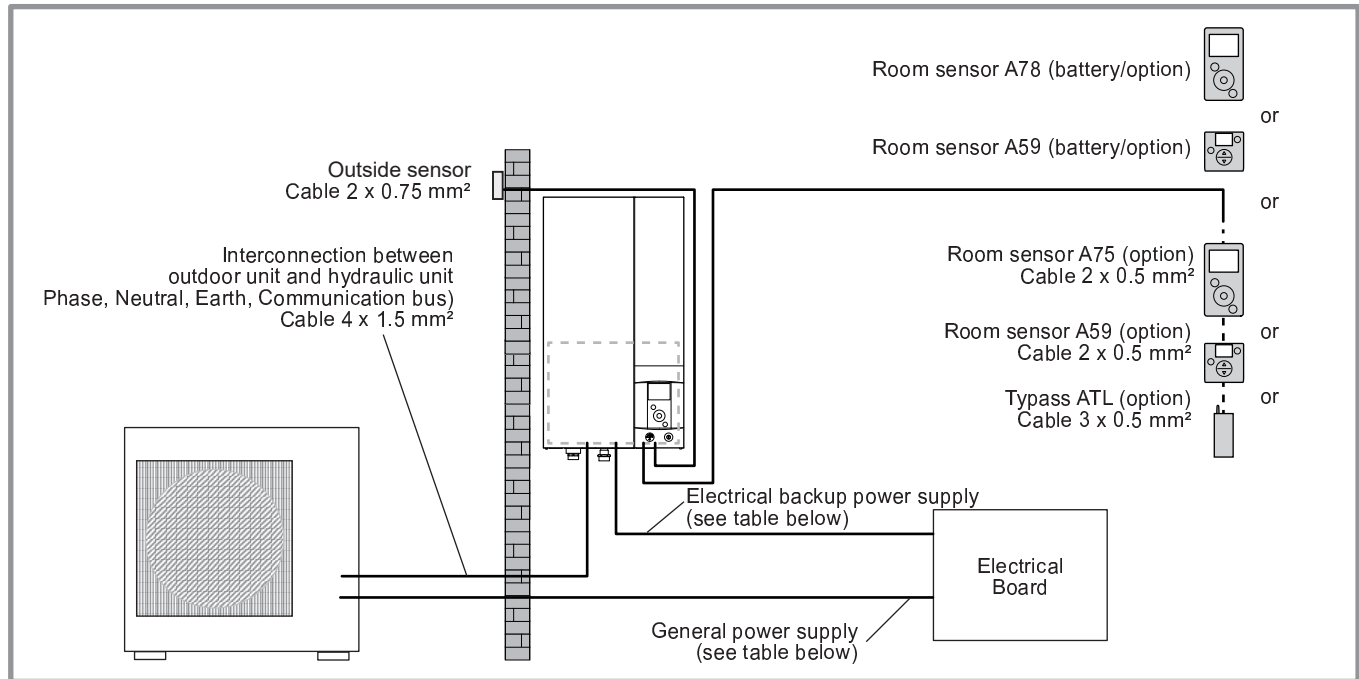
If the motor becomes stuck, a start-up cycle is launched. If the motor remains stuck, it will be permanently stopped.

- ☞ **Cut off the power supply to the circulation pump for 30 secs in order to free it and allow a new start-up cycle to begin.**

## 5 Electrical connections

- ☞ Before any maintenance operation, ensure that the general power supply is switched off.
- ☞ Electrical installation must be performed in accordance with current regulations.

The electrical diagram for the hydraulic unit is shown on [figure 44, page 78](#).



**figure 29 - Overall layout of electrical connections for a simple installation (1 heating circuit)**

## 5.1 Cable dimensions and protection rating

These cable dimensions are provided for information purposes only and do not exempt the installer from checking that these dimensions match requirements and comply with current standards.

### • Outdoor Unit Power Supply

| <i>Heat Pump (HP)</i> |                               | <i>Electricity supply 230 V - 50 Hz</i>         |                                |
|-----------------------|-------------------------------|---|--------------------------------|
| <i>Model</i>          | <i>Max. power consumption</i> | <i>Connection cable (phase, neutral, earth)</i> | <i>Circuit breaker C curve</i> |
| Alféa Extensa A.I. 5  | 2530 W                        | 3 x 1.5 mm <sup>2</sup>                         | 16 A                           |
| Alféa Extensa A.I. 6  | 2875 W                        |   |                                |
| Alféa Extensa A.I. 8  | 4025 W                        | 3 x 2.5 mm <sup>2</sup>                         | 20 A                           |
| Alféa Extensa A.I. 10 | 4255 W                        |   |                                |

### • Interconnection between the outdoor unit and the hydraulic unit

The hydraulic unit is powered by the outdoor unit by means of a 4 x 1.5 mm<sup>2</sup> cable (phase, neutral, earth, communication bus).

### • Electrical backup power supply

The hydraulic unit contains a electrical backup circuit (and a second optional) installed in the storage tank.

| <i>Heat pump</i>   | <i>Electrical backups</i> |                        | <i>Electrical backup power supply</i> |                                |
|--|---------------------------|------------------------|---------------------------------------|--------------------------------|
| <i>Model</i>   | <i>Power</i>              | <i>Nominal current</i> | <i>Cable (phase, neutral, earth)</i>  | <i>Circuit breaker C curve</i> |
| Alféa Extensa A.I. 5, 6, 8 and 10                            | 3 kW                      | 13 A                   | 3 x 1.5 mm <sup>2</sup>               | 16 A                           |
| Alféa Extensa A.I. 5, 6, 8 and 10 with 6 kW Backup Relay Kit | 2 x 3 kW                  | 26.1 A                 | 3 x 6 mm <sup>2</sup>                 | 32 A                           |

## 5.2 Electrical connections on the outdoor unit side

Access to connection terminals:

- **Alféa Extensa A.I. models 5, 6 and 8**

- Remove the cowl.
- **Alféa Extensa A.I. model 10**
- Remove the front panel and cowl.
- Make the connections according to the diagram (figure 32, page 42).
- Use cable clamps to prevent any power cables from being disconnected accidentally.
- Fill in the space where the cables enter the outdoor unit with the insulating plate

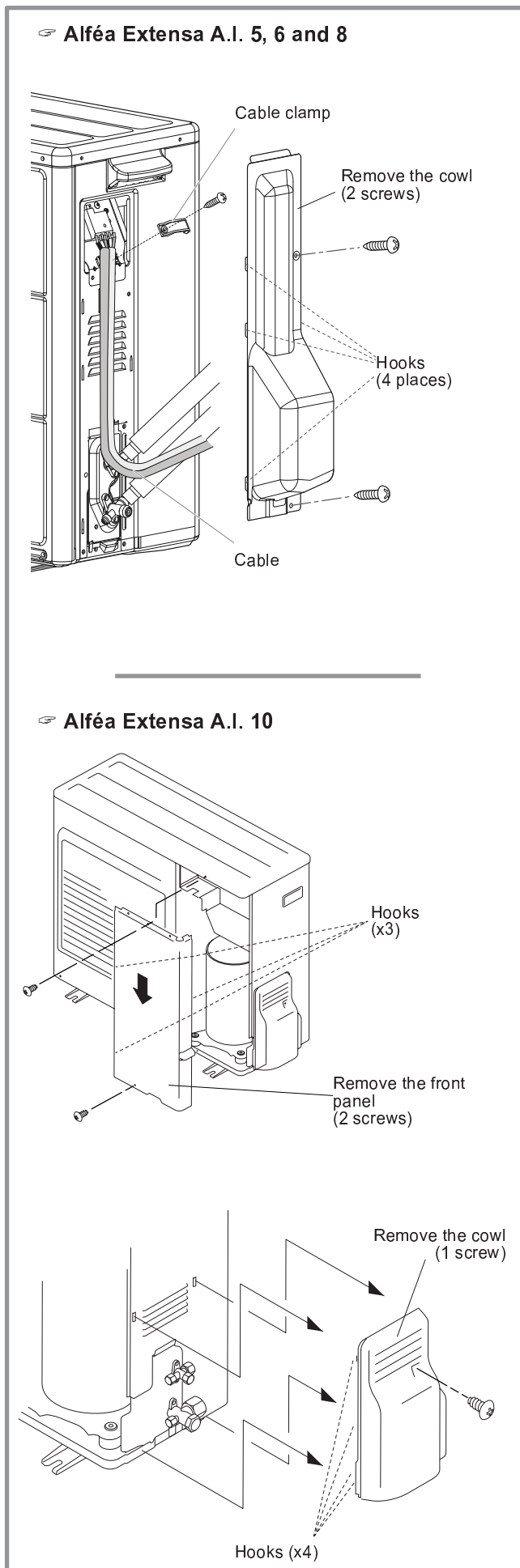


figure 30 - Connections to outdoor unit's terminal block

figure 31 - Access to outdoor unit's terminal block



### 5.3 Electrical connections on the hydraulic unit side

Access to connection terminals:

- Remove the front panel (2 screws) (figure 16, page 23).
  - Open the power control box.
  - Make the connections according to the diagram (figure 44).
- Do not place the sensor and power supply lines parallel to each other to avoid interference due to voltage spikes in the power supply.

Make sure that all electrical cables are housed in the areas provided for this purpose.

#### • Interconnection between outdoor unit and hydraulic unit

Match up the terminal block markers on the hydraulic unit to those of the outdoor unit exactly when connecting the interconnection cables.

An incorrect connection could result in the destruction of one or other of the units.

#### • Electrical backup

If the heat pump is not installed with a boiler connection:

- Connect the power supply for the backup to the electrical panel.

#### • Boiler connection (option)

☞ If the boiler connection option is used, the electric backup option must not be connected.

- Please refer to the instructions supplied with the boiler connection kit.
- Please refer to the instructions supplied with the boiler.

#### • Second heating circuit (option)

- Refer to the instructions supplied with the double hydraulic circuit kit.

#### • DHW tank with electrical backup heating (option)

If the installation is fitted with a DHW tank with electrical backup heating:

- Please refer to the instructions supplied with the DHW kit.
- Please refer to the instructions supplied with the DHW tank.

#### • Contract with Energy Supplier

The heat pump can be set to operate within particular types of energy contract, e.g. off-peak, day/night. In particular, domestic hot water (DHW) at the comfort temperature will be produced at off-peak times when electricity is at its cheapest.

- Connect the "Power Provider" contact to input EX2.
- Set the DHW configuration to "Off-Peak".
- 230V on input EX2 = "Peak Hours" information activated.

#### • Power limitation or EDR (Energy Demand Reduction)

Power limitation is designed to reduce electricity consumption when it is too high for the contract signed with the energy supplier.

- Connect the power limiter device to input EX1. Heat pump and DHW backups will be shut off in the event of over-consumption by the dwelling.
- 230 V on input EX1 = power limitation in progress.

#### • Faults external to the heat pump

Any component which reports back information (Underfloor heating safety switch, thermostat, pressure switch, etc.) may signal an external problem and stop the heat pump.

- Connect the external component to input EX3.
- 230 V on input EX3 = heat pump stopped (system displays Error 369).

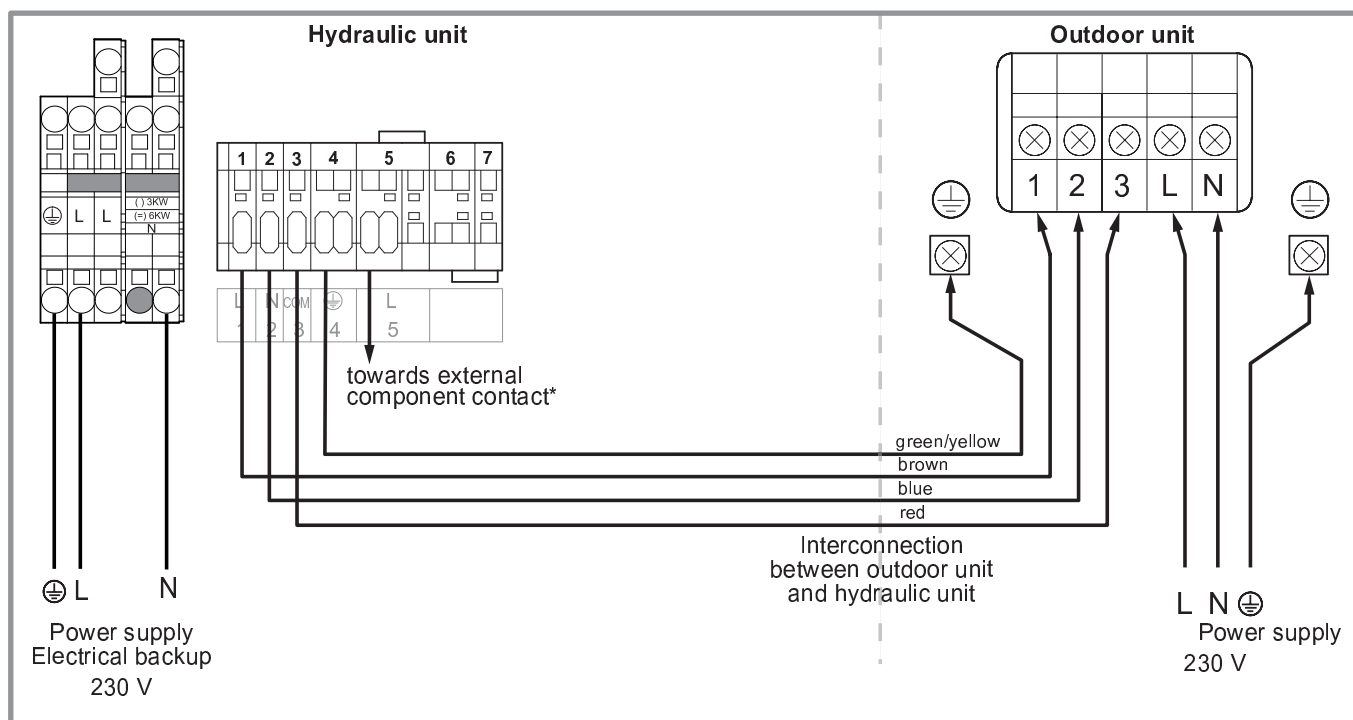
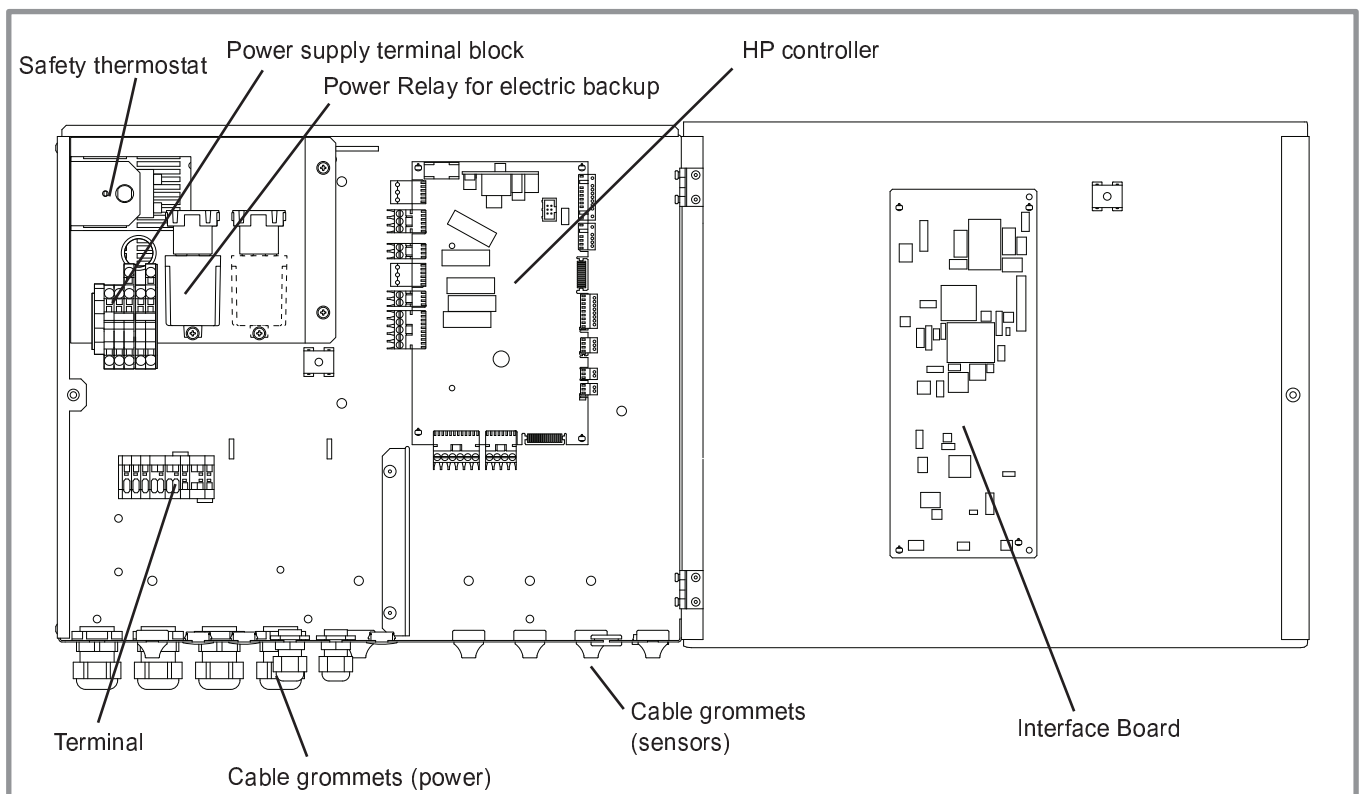


figure 32 - Connection to terminal blocks and power relay



**figure 33 - Description of the hydraulic unit electric control box**

## 5.4 Outdoor sensor

The outdoor sensor is required for correct operation of the heat pump.

Please see the fitting instructions on the sensor's packaging.

Place the sensor on the coldest side of the building, generally the northern or north-western side.

It must not be exposed to morning sun.

It must be installed so as to be easily accessible but at least 2.5m from the ground.

It is essential that it is not placed near any sources of heat such as flues, upper parts of doors and windows, near extractor vents, under balconies and eaves, or anywhere which would insulate the sensor from variations in the outdoor air temperature.

- Connect the outdoor sensor to connector **X84** (terminals **M** and **B9**) on the heat pump control board.

## 5.5 Room sensor (option)

The room sensor is optional.

Please see the fitting instructions on the sensor's packaging.

The sensor must be installed in the living room area on an unobstructed wall. It must be installed so as to be easily accessible.

Avoid direct sources of heat (chimney, television, cooking surfaces, sun) and draughty areas (ventilation, door, etc.).

Draughts in buildings are often brought about by cold air blowing through the electrical ducting. Lag the electrical ducts if there is a cold draught behind the room sensor.

### 5.5.1 Installing a room sensor

- **Room sensor A59** (if cabled)
  - Connect the sensor's power supply to connector **X86** on the HP control board using the connector provided (terminals **2** and **3**).
- **Room sensor A75**
  - Connect the sensor's power supply to connector **X86** on the HP control board using the connector provided (terminals **2** and **3**).

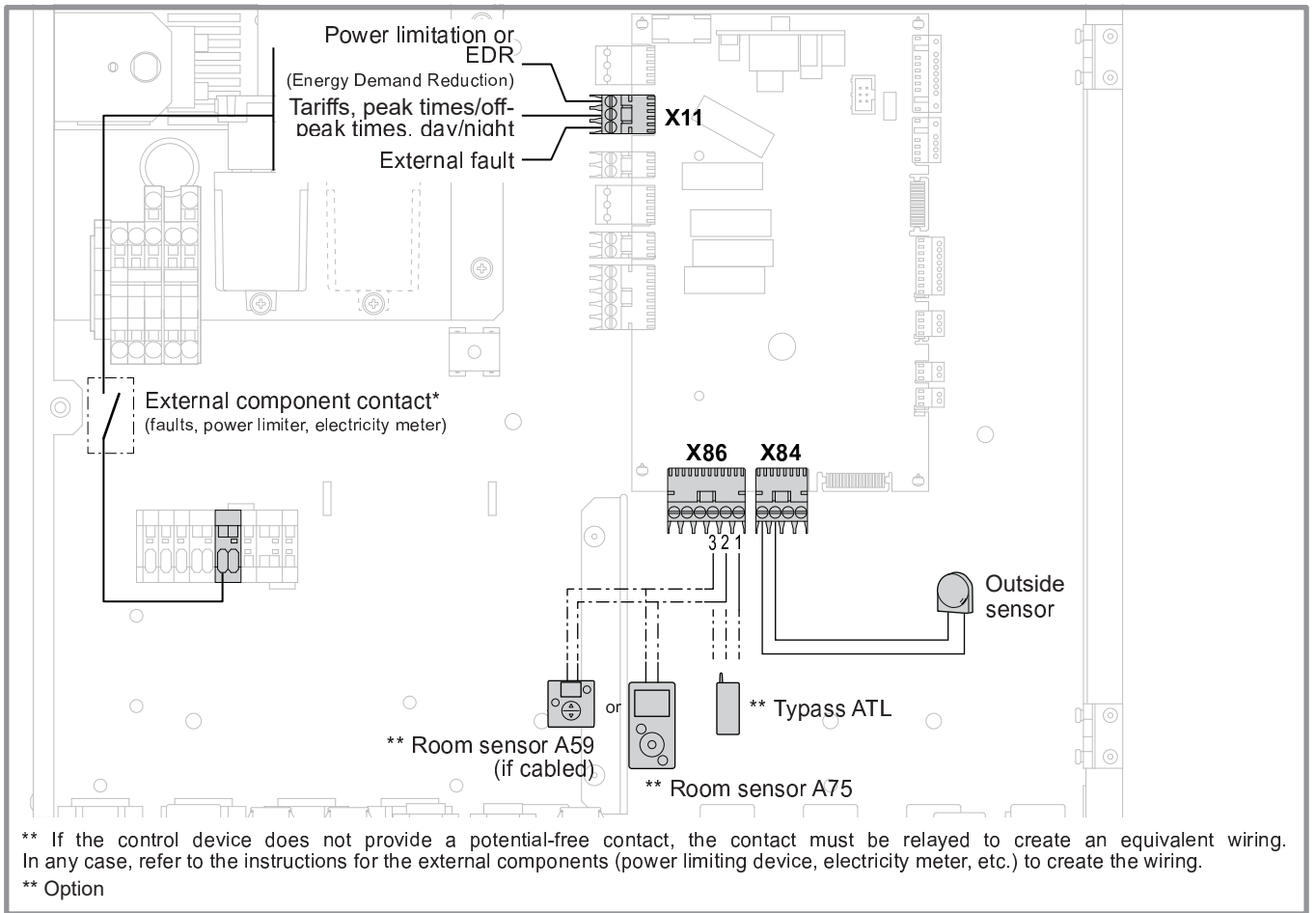
### 5.5.2 Installing a Typass ATL

- Connect the Typass ATL to connector **X86** on the HP control board using the connector provided (terminals **1**, **2** and **3**).

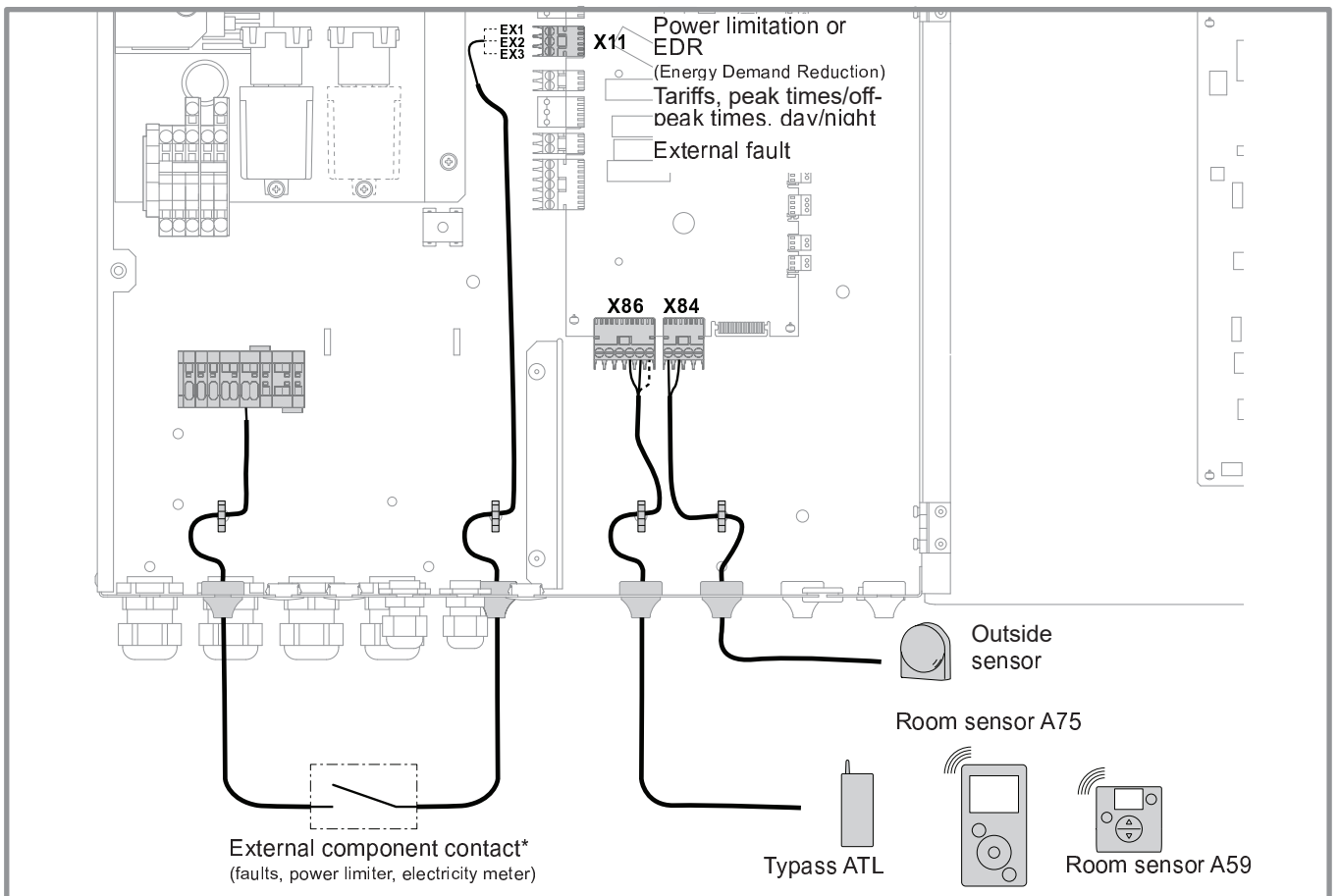
### 5.5.3 Fan convector zone

If the installation is equipped with fan convectors or dynamic radiators, **do not use a room sensor**.





**figure 35 - Connections on the heat pump controller (accessories and options)**



**figure 34 - Sensor cable feeds**

## 6 Commissioning

- Close the installation's main circuit breaker.

Upon initial start-up (or in winter), to preheat the compressor, engage the installation's main circuit breaker (outdoor unit power supply) several hours before starting any tests.

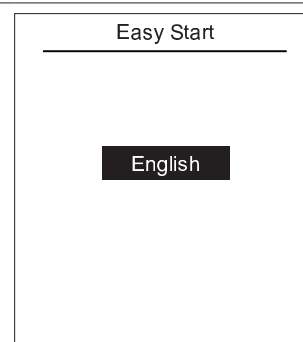
- Press the heat pump's Start/Stop button.

To ensure that inputs EX1, EX2 and EX3 operate correctly: Check that the electricity supply's neutral phase polarity has been respected.

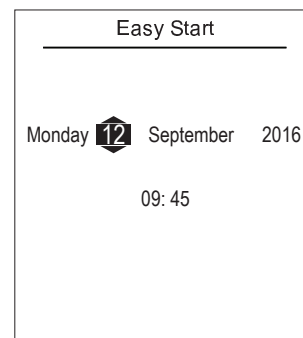
When the power is switched on and every time that the ON/OFF button is switched off and then switched on again, the outdoor unit will take approximately 4 minutes to start up, even if the setting is requesting heating.

When the power is switched on, the "Easy Start" quick start function allows you to set the appliance's initial settings.

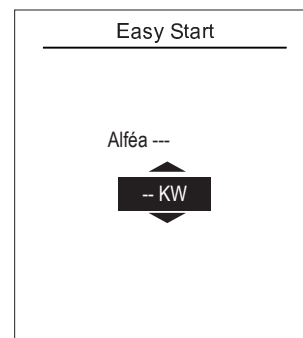
- Turn the knob to choose the language.
- Press the knob to accept.



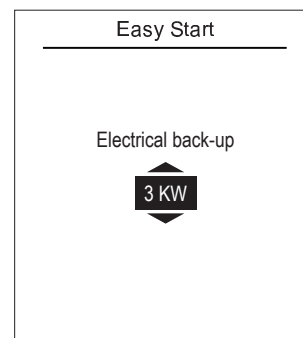
- Turn the knob to adjust the date. Press the knob to accept.
- Repeat this operation for the month, year, hours and minutes.

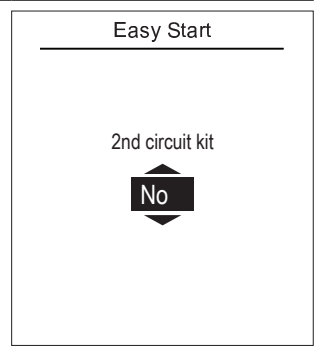
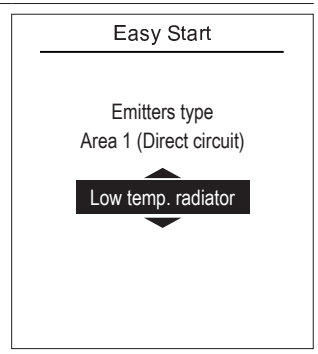
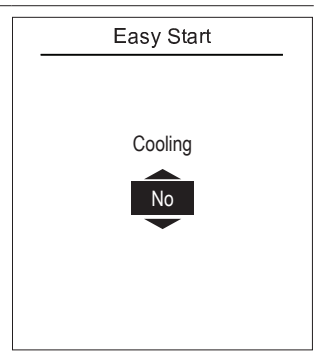
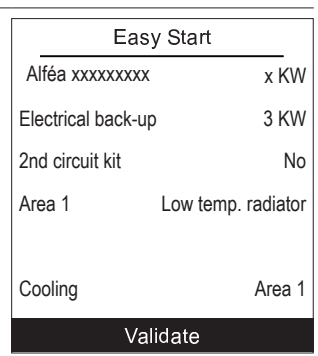
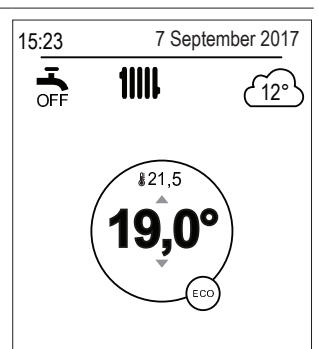


- Set the appliance's power.



- Set the Electrical backup power:  
3kW / 6kW / 9kW / None.



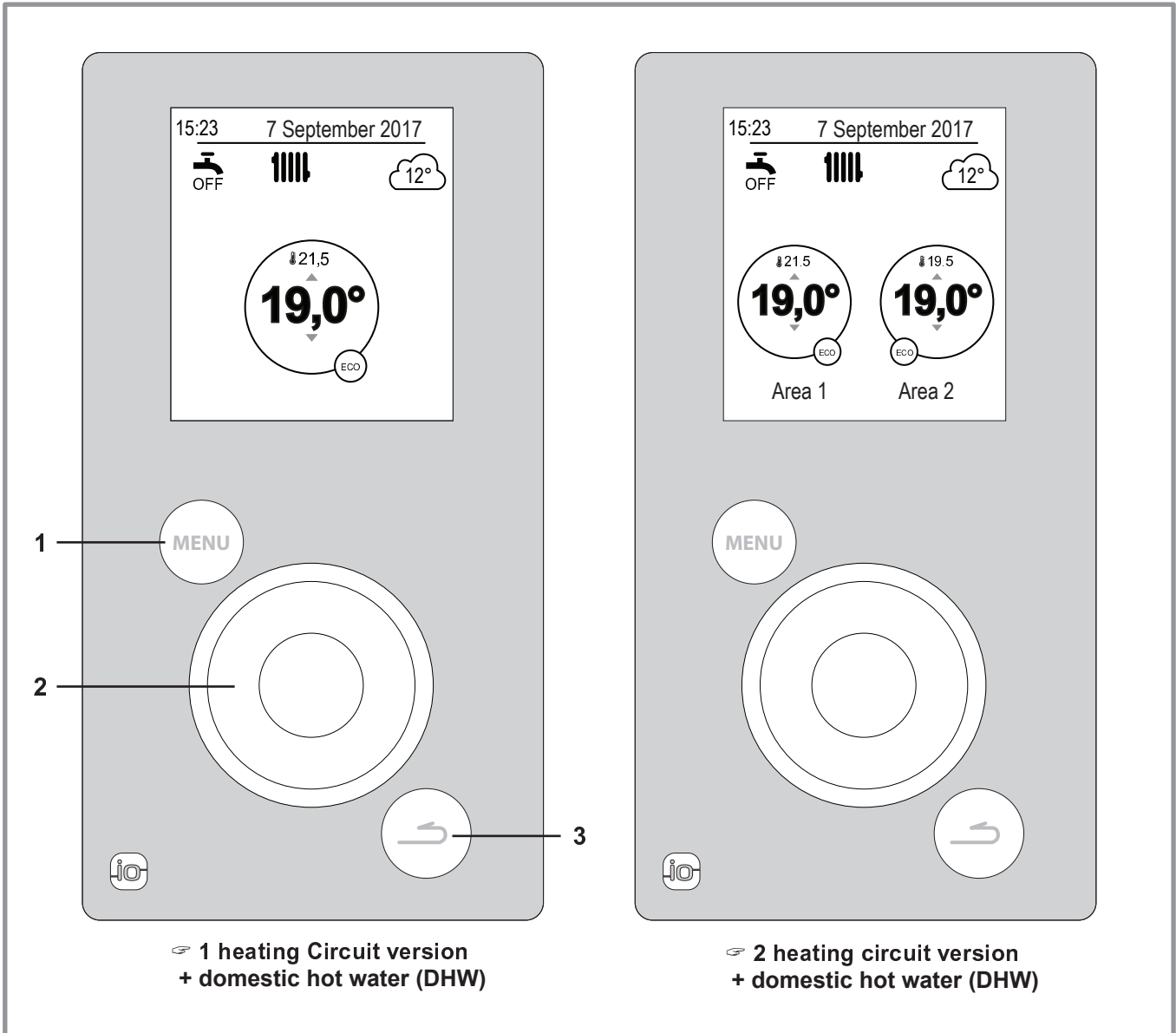
|  |   |
|--|---|
| <p>- If the installation covers 2 zones, set "2nd circuit kit" to "Yes".</p>   |    |
| <p>- Choose the radiator type for each zone:<br/><i>Low temp. radiator / Heat. floor system / Dynamic Radiators / Radiators.</i></p> |    |
| <p>- If the installation is fitted with cooling function, choose the zone(s):<br/><i>None / Area 1 / Area 2 / Area 1 and 2.</i></p>  |   |
| <p>- Appliance settings summary screen. Press the knob to accept.<br/>- The appliance starts initialising.</p>                       |  |
| <p>- The welcome screen is displayed (screen varies depending on installed options).</p>   |  |

Upon commissioning, the electrical backup heaters or boiler are liable to start up even if the outdoor temperature at the time is above the heaters' trigger temperature.

The controller uses the initial average outdoor temperature of 0°C and needs time to update this temperature.

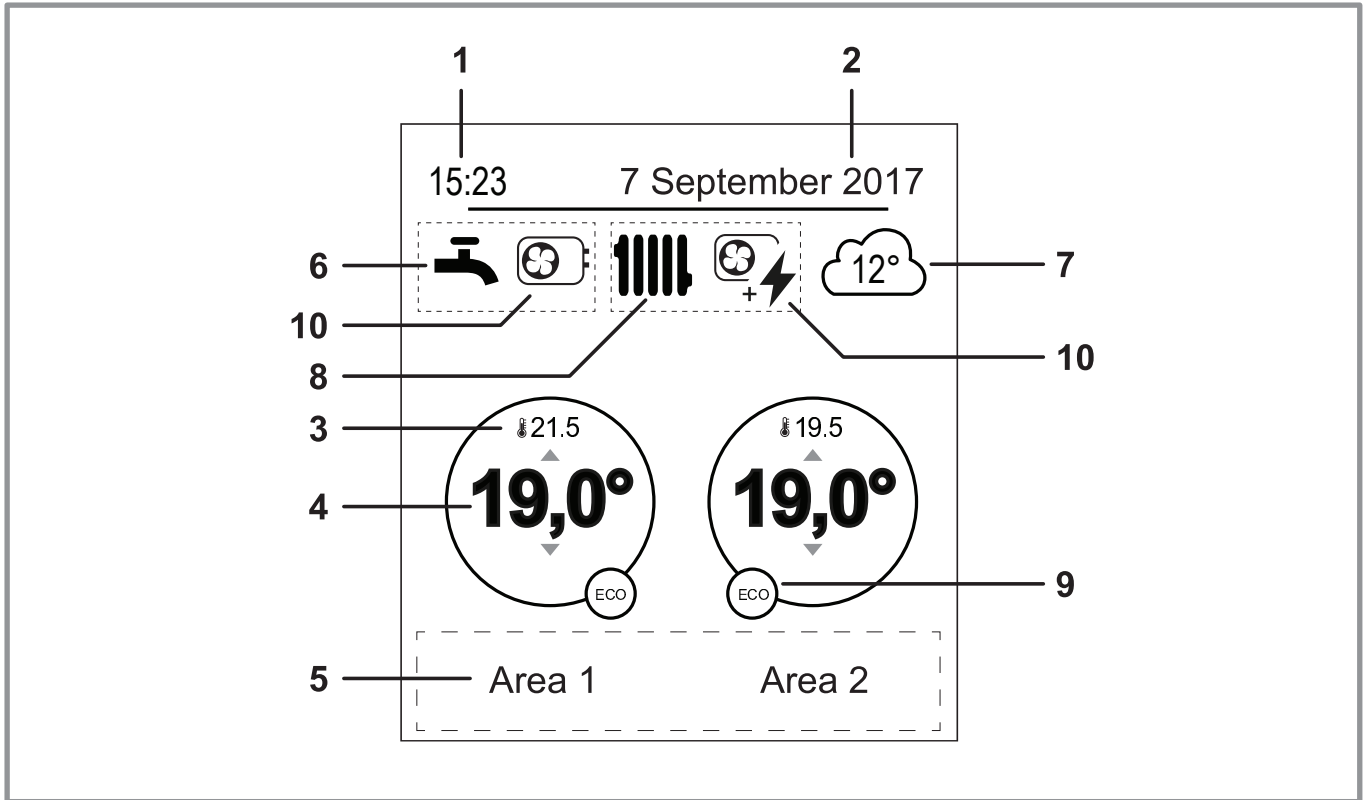
# 7 Controller Interface

## 7.1 User Interface



| N° | Description  |
|----|--|
| 1  | Menu button  |
| 2  | Navigation knob (rotate knob), accept (press knob) |
| 3  | Back button  |

## 7.2 Display Description




| N° | Symbols                           | Definitions  |
|----|-----------------------------------|--|
| 1  | 15:23                             | Time   |
| 2  | 7 September 2017                  | Date   |
| 3  | 21.5                              | Temperature measured by the room sensor*                                 |
| 4  | 19,0°                             | Room temperature setpoint  |
| 5  |                                   | Information (Area names, emergency mode, test mode, error display, etc.) |
| 6  | <b>Domestic Hot Water (DHW)*:</b> |  |
|    |                                   | Activated  |
|    |                                   | Boosting in progress   |
|    |                                   | Deactivated  |
| 7  | 12°                               | Temperature measured by the outside sensor                               |
| 8  | <b>Operation</b>                  |  |
|    |                                   | Heating  |
|    |                                   | Cooling*   |

| N° | Symbols                   | Definitions            |
|----|---------------------------|------------------------|
| 9  | <b>Mode</b>               |                        |
|    |                           | Comfort                |
|    |                           | Manual (exemption)     |
|    | ECO                       | ECO                    |
|    |                           | Holiday                |
|    |                           | Floor drying           |
|    |                           | Stop (except frost)    |
| 10 | <b>Production via ...</b> |                        |
|    |                           | Heat Pump              |
|    |                           | Electrical backup      |
|    |                           | HP + electrical backup |
|    |                           | HP + Fuel/Gas*         |
|    |                           | Fuel/Gas*              |

\* Option

### 7.3 Installer Menu

To access the Installer Menu, press and hold the  button and turn the knob a **quarter turn to the right**.

To return to the User Menu, repeat the same operation.

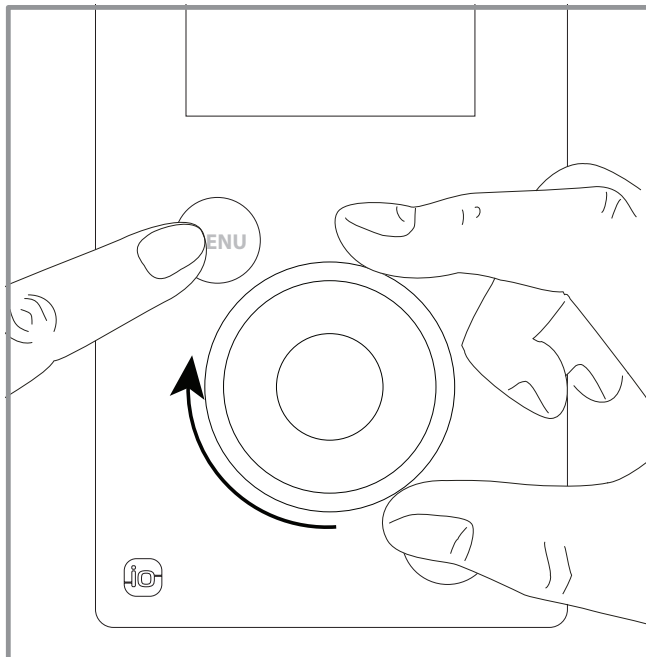







figure 36 - Installer Menu

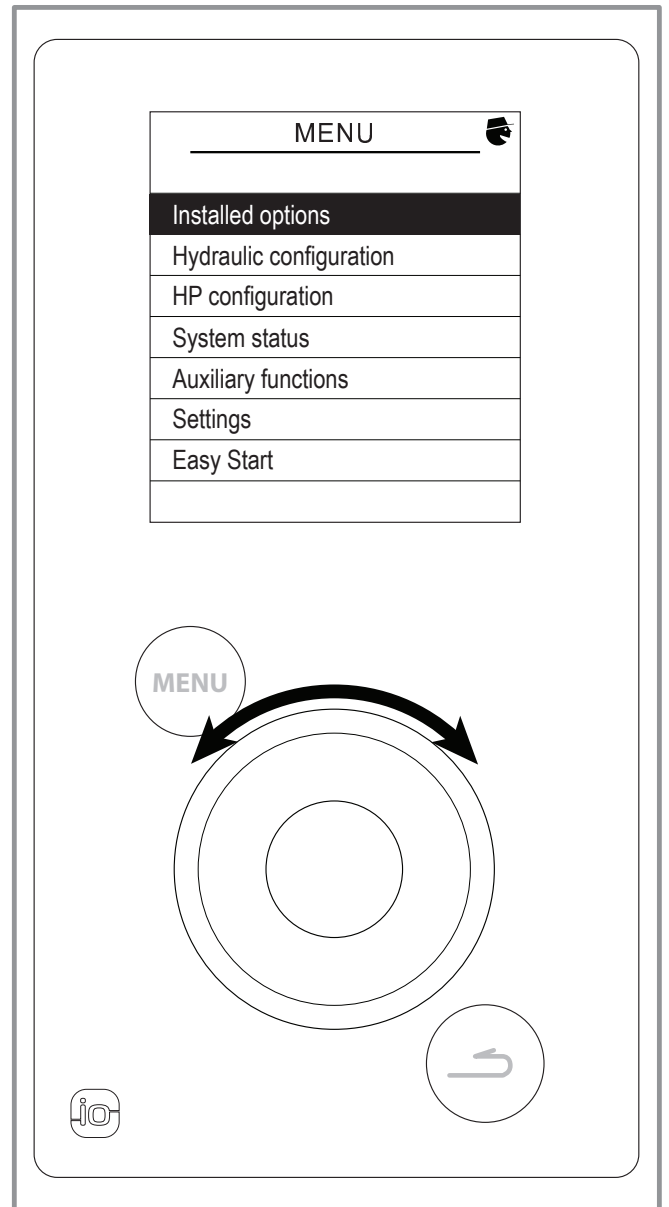
### 7.4 Navigating the Menus

| To ...                       | Action:  |
|------------------------------|--|
| Access the menu              | Press  .   |
| Choose a menu item           | Turn the knob to highlight your choice.<br>Press the knob to accept.   |
| Return to the previous menu  | Press  .  |
| Return to the main menu      | Press  twice.   |
| Return to the welcome screen | Press  or  on the main menu. |

**Note:** Some settings (or menus) might not be displayed. They are dependent on the installation's configuration (and installed options).

## 7.5 Modifying Settings

- Turn the knob to highlight the setting you wish to change.
- Press the knob to accept the change.
- Turn the knob to adjust the setting.
- Press the knob to accept your choice.



*figure 37 - Navigation*

## 7.6 Temperature control

The heat pump's operation is subject to the temperature control.

The heating circuit water temperature setpoint is adjusted according to the outdoor temperature.

If there are thermostatic valves on the installation, these must be fully open or set higher than the normal temperature setpoint.

### 7.6.1 Setting

During the installation, the temperature control must be configured to suit the radiators and level of insulation of the dwelling.

The temperature control graphs (figure 38) refer to a room temperature setpoint of 20°C.

The temperature control's gradient determines the impact of variations in the outdoor temperature on variations in the heating flow temperature.

The steeper the gradient, the more likely a slight reduction in the outdoor temperature will cause a significant increase in the water flow temperature in the heating circuit.

The temperature control off-set modifies the flow temperature of all graphs, without modifying the gradient (figure 39).

Corrective actions to take in the case of discomfort are listed in the table (figure 40).



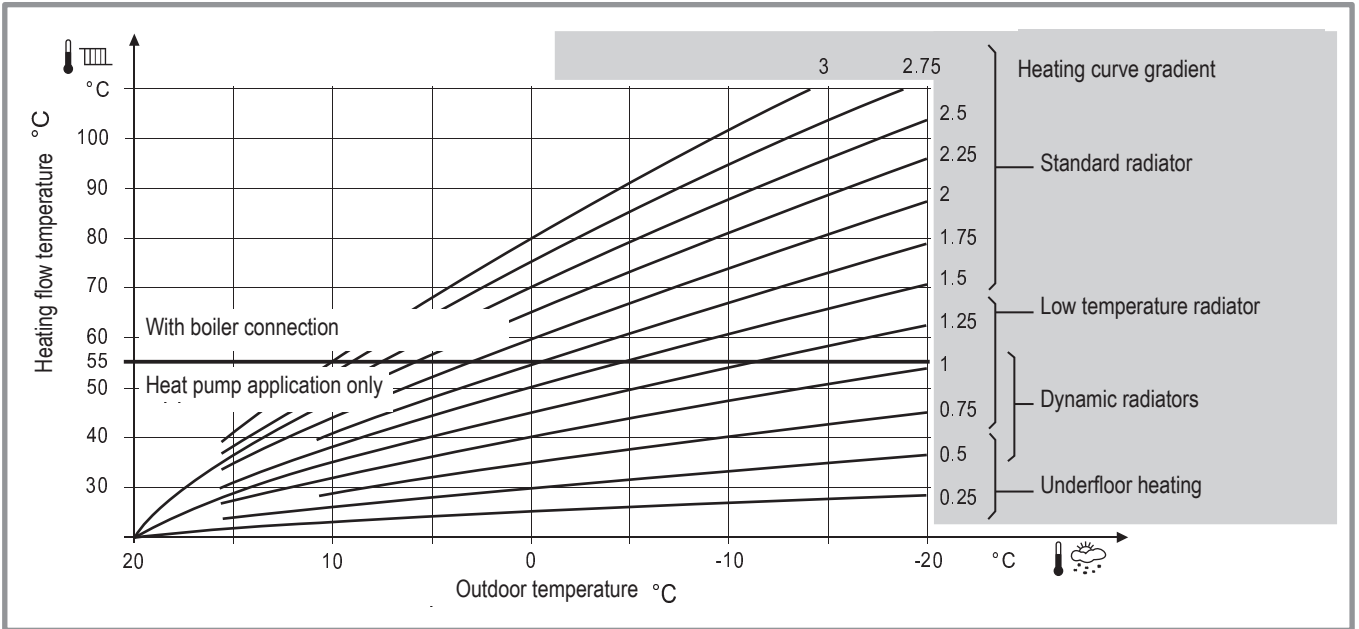


figure 38 - Heating curve gradient

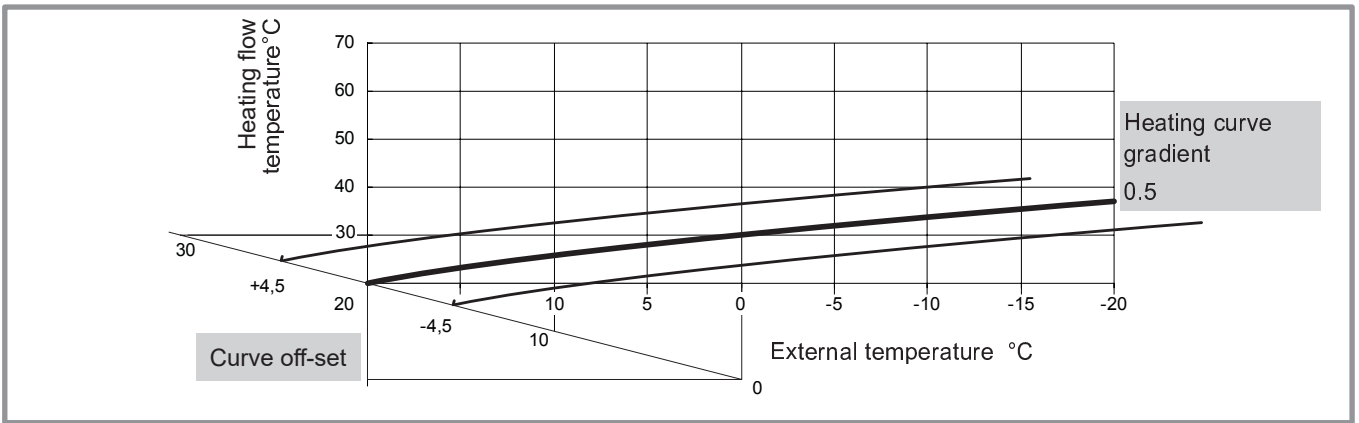


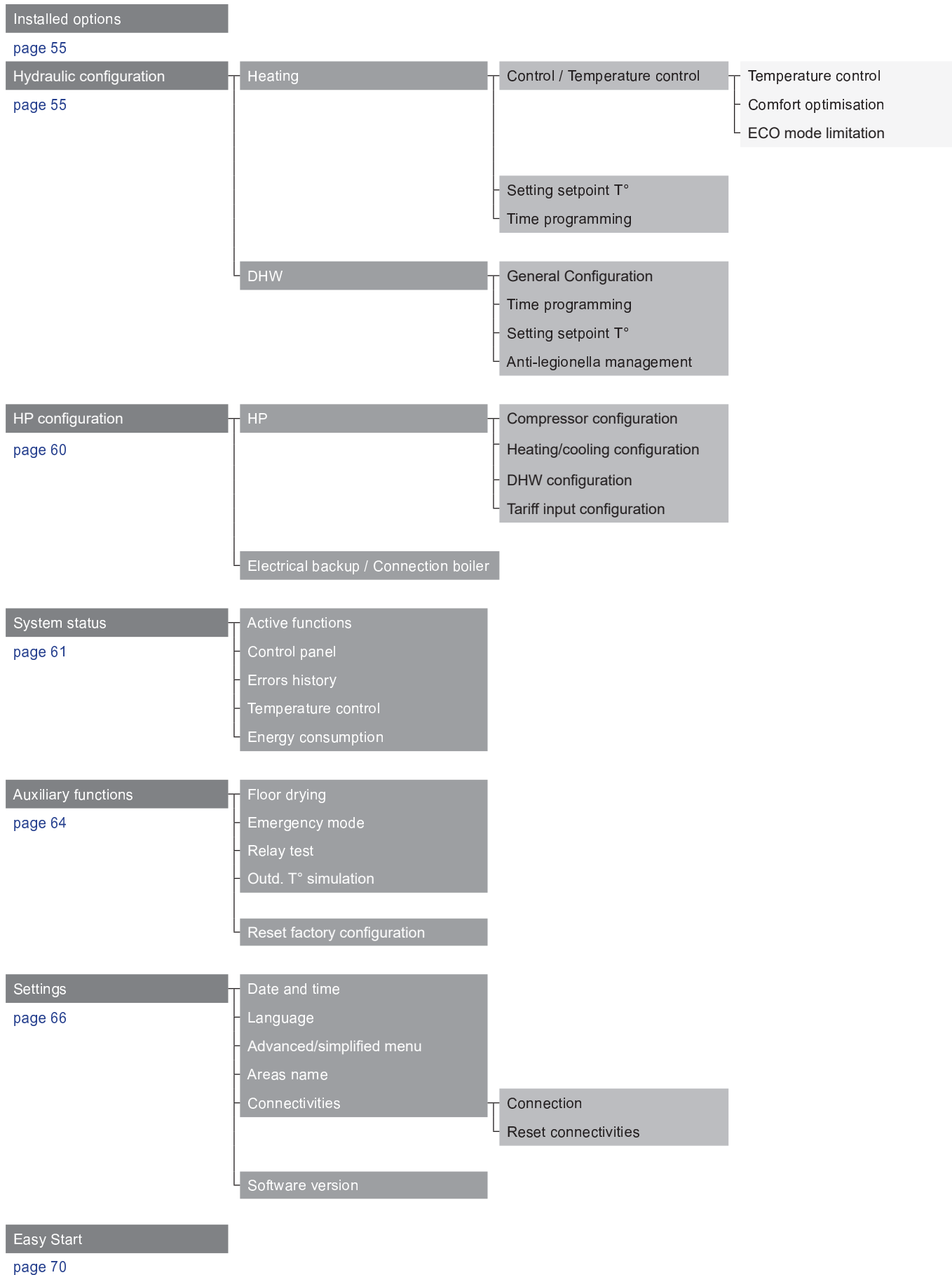
figure 39 - Transferral of the heating curve

| Sensations...      |                    | Corrective actions on the temperature control: |               |
|--------------------|--------------------|--|---------------|
| ...in mild weather | ...in cold weather | Gradient                                       | Off-set       |
| Good               | &  Good            | → No correction                                | No correction |
| Cold               | &  Hot             | →  |               |
| Cold               | &  Good            | →  |               |
| Cold               | &  Cold            | → No correction                                |               |
| Good               | &  Hot             | →  | No correction |
| Good               | &  Cold            | →  | No correction |
| Hot                | &  Hot             | → No correction                                |               |
| Hot                | &  Good            | →  |               |
| Hot                | &  Cold            | →  |               |

figure 40 - Corrective actions in case of discomfort

# 8 Controller Menu

## 8.1 Menu Structure



Some settings (or menus) might not be displayed. They are dependent on the installation's configuration (and installed options).

**Installed options**

**8.2 Installed options**

Installed options are configured during commissioning (see [page 46](#)). However, you can modify them by accessing the "Installed Options" menu.

**Name of Appliance**

- Choose the appliance's power.

**Electrical backup**

- Choose the electrical backup power.

**Boiler connection**

- If the electrical backup is set to "No", you can then set the boiler connection to "Yes".
- If a power setting is applied to the electrical backup, the boiler connection setting remains set to "No" and cannot be changed.

**Number of Circuits**

- Choose the number of circuits.

**Cooling**

- If the installation is fitted with cooling function, choose the zone(s):  
None / Area 1 / Area 2 / Area 1 and 2.

| Installed options  |        |
|--------------------|--------|
| Name of Appliance  | -- KW  |
| Electrical back-up | 3 KW   |
| Boiler connection  | No     |
| Number of circuits | 2      |
| Cooling            | Area 1 |
| Complete           |        |

**Hydraulic configuration** > Area 1

**8.3 Hydraulic configuration**

**8.3.1 Heating / Cooling**

- Choose the heating zone to configure.

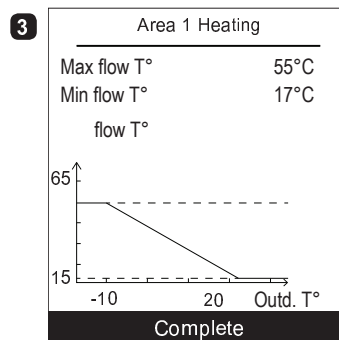
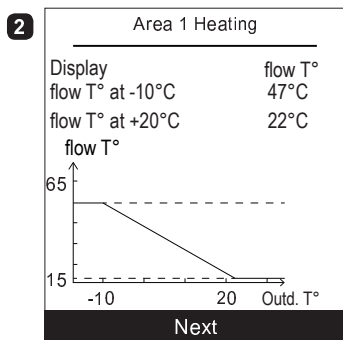
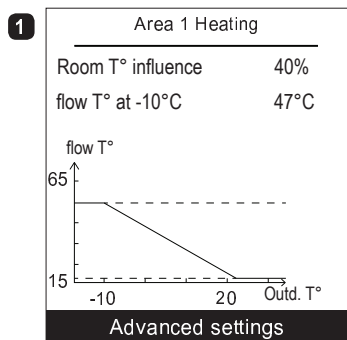
| Hydraulic configuration |
|-------------------------|
| Area 1 (Direct circuit) |
| Area 2 (Mixed circuit)  |
| Hot water               |
|                         |

Some settings (or menus) might not be displayed. They are dependent on the installation's configuration (and installed options).

- ☞ Choose the temperature control to adjust: "Heating".
- ☞ Two methods for adjusting the temperature control are available: flow temperature or gradient control.

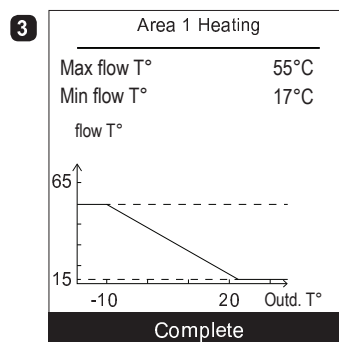
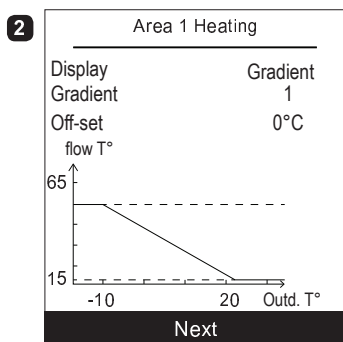
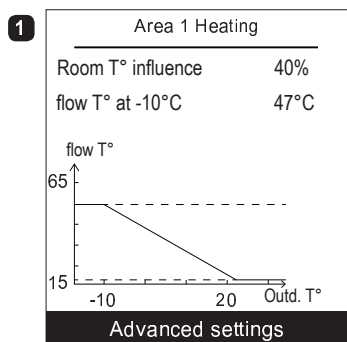
● Control using flow temperature

- 1 - Set "Room T° influence" then select "Advanced settings".
- 2 - Set "Display" to "flow T°". Set "flow T° to -10°C" and "flow T° to +20°C".
- 3 - Set "Max flow T°" and "Min flow T°".



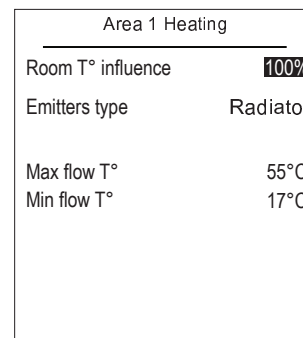
● Control using gradient

- 1 - Set "Room T° influence" then select "Advanced settings".
- 2 - Set "Display" to "Slope". Set "flow T° to -10°C" and "flow T° to +20°C".
- 3 - Set "Max flow T°" and "Min flow T°".



● Use 100% ambient temperature

If set to use 100%, adjust the radiator type.



Some settings (or menus) might not be displayed. They are dependent on the installation's configuration (and installed options).

Hydraulic configuration > Area 1 > Control / Temperature control

Comfort optimisation

"Accelerated decrease": ON / Stop.  
 "ECO / Comfort switchover" Anticipates time needed to reach the comfort setpoint.  
 "Comfort / ECO switchover" Anticipates time needed to switch from comfort setpoint to ECO setpoint.

| Area 1                   |         |
|--------------------------|---------|
| Comfort optimisation     |         |
| Accelerated decrease     | Stop    |
| Max anticipation         |         |
| ECO / Comfort switchover | 03:00 h |
| Comfort / ECO switchover | 00:30 h |

ECO mode limitation

"Activation outd. T°": -30°C / +10°C.  
 "Stopping outd. T°": -30°C / +10°C.

| Area 1              |      |
|---------------------|------|
| ECO mode limitation |      |
| Activation outd. T° | ---  |
| Stopping outd. T°   | -5°C |

Hydraulic configuration > Area 1

Setting setpoint T°

"Comfort T°": ECO Temperature ... 35°C.  
 "ECO T°": Absence Temperature ... Comfort Temperature.  
 "Absence T°": 4°C... ECO Temperature.


- ☞ Heating temperatures factory settings:  
 Comfort 20°C, ECO 19°C, Absence 8°C.
- ☞ Cooling temperatures factory settings:  
 Comfort 24°C, ECO 26°C, Absence 35°C.

| Zone 1              |      |
|---------------------|------|
| Heating Setpoint T° |      |
| Comfort T°          | 20°C |
| ECO T°              | 19°C |
| Absence T°          | 8°C  |

Some settings (or menus) might not be displayed. They are dependent on the installation's configuration (and installed options).

Hydraulic configuration > Area 1

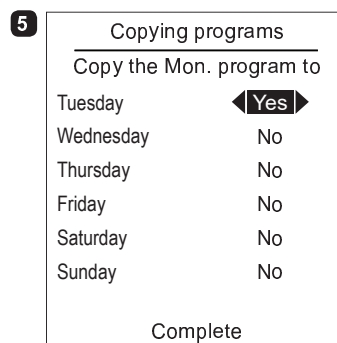
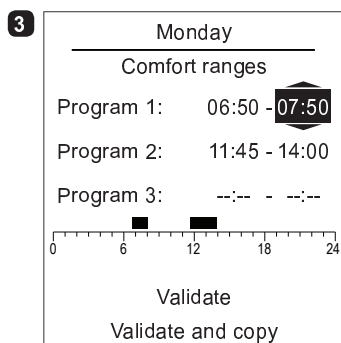
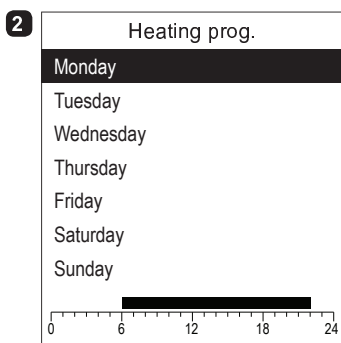
Time programming

- 1 - Choose "Heating" or "Cooling" as well as the appropriate zone by accessing the menu: "Programming" > "Heating" / "Cooling" > "Area 1" / "Area 2".
  - 2 - Select the day.
  - 3 - Adjust the Comfort period start and end times.
    - ☞ If 2 or 3 Comfort periods are not required, click on "--:--".
- To return to the previous setting (e.g. end 1st heating period to start of 1st heating period), press the  button.

• To copy the program to other days:

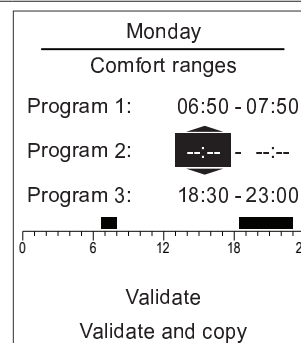
- 4 - Select "Validate and copy".
  - 5 - Set the required days to "Yes" and then select "Complete".
- Else "Validate".

☞ Heating / cooling period factory setting: 06:00 - 22:00.



To delete a Comfort period, set its start and end times to the same value.  
When accepting a setting, the screen displays:

Program X: --:-- - --:--



Some settings (or menus) might not be displayed. They are dependent on the installation's configuration (and installed options).

Hydraulic configuration > Hot water

8.3.2 Hot Water (HW)

General Configuration

"Comfort T° charge": DHW program + off-peak hours / Off-peak hours / Permanent.  
 Electrical back-up power: 0 to 20 KW.

|                                     |     |
|-------------------------------------|-----|
| DHW Circuit<br>Configuration        |     |
| Comfort T° charge                   |     |
| <b>DHW program + off-peak hours</b> |     |
| Electrical back-up power            | 1KW |

Time programming

See "Time programming", page 58.

☞ DHW period factory setting: 00:00 - 05:00, 14:30 - 17:00.

Setting setpoint T°

"Comfort T°": ECO Temp Setpoint ... 65°C.  
 "ECO T°": 8°C... Comfort Temp setpoint.

|                                  |             |
|----------------------------------|-------------|
| DHW Circuit<br>Setpoint settings |             |
| Comfort T°                       | <b>55°C</b> |
| ECO T°                           | 40°C        |

☞ DHW temperature factory settings: Comfort 55°C, ECO 40°C.

Anti-legionella management

"Anti-legionella": Stop, ON.  
 "Day of treatment": Monday / Tuesday / Wednesday / Thursday / Friday / Saturday / Sunday.  
 "Hour of treatment": 00:00.  
 "Setpoint T°": 55°C... 95°C.

|   |             |
|---|-------------|
| DHW Circuit<br>Anti-legionella management |             |
| Anti-legionella                           | <b>Stop</b> |
| Day of treatment                          | Sunday      |
| Hour of treatment                         | ---         |
| Setpoint T°                               | 60°C        |

Some settings (or menus) might not be displayed. They are dependent on the installation's configuration (and installed options).

HP configuration > HP

### 8.4 Heat Pump Configuration

#### 8.4.1 Heat Pump

Compressor configuration

"Minimum shutdown time": 0 mins... 120 mins.  
 "Max HP T°": 8°C... 100°C.  
 "Post-circulation": 10 secs... 600 secs...  
 "Power shedding operating": Automatic, When needed.

Released: HP = Start / DHW Backup = Stop / 1<sup>st</sup> HP Backup = Stop / 2<sup>nd</sup> HP Backup = Stop / Boiler = Start.

When needed (Locked): HP = Stop / DHW Backup = Stop / 1<sup>st</sup> HP Backup = Stop / 2<sup>nd</sup> HP Backup = Stop / Boiler = Start.

| HP                       |          |
|--------------------------|----------|
| Compressor configuration |          |
| Minimum shutdown time    | 8 mins   |
| Max HP T°                | 75°C     |
| Post-circulation         | 240s     |
| Power shedding operating | Released |

Heating/cooling configuration

- 1 - "Summer/winter switchover outd.T°" Zone 1: 8°C... 30°C.  
 "Mini. cooling switchover outd. T°": 8°C... 35°C.  
 "Mini. time prior to heat./cool.switchover ": 8h... 100h.
- 2 - "Circuit 2 heating": 0°C... 20°C.  
 - "Circuit 2 cooling": 0°C... 20°C.

1

| HP  |      |
|---|------|
| Heating/cooling configuration             |      |
| Summer/winter switchover outd.T°          | 18°C |
| Mini. cooling switchover outd. T°         | ---  |
| Mini. time prior to heat./cool.switchover | 24h  |
| Next                                      |      |

2

| HP                               |     |
|----------------------------------|-----|
| Heating/cooling configuration    |     |
| Mixing valve compensation Area 2 |     |
| Area 2 heating                   | 0°C |
| Area 2 cooling                   | 0°C |
| Complete                         |     |

DHW configuration

"Maximum HP DHW T°": 0°C... 80°C.  
 "Switching differential": 0°C... 20°C.  
 "Heat./cool. alternating time": 10 mins... 600 mins.  
 (with dynamic radiator, set to 40 mins).

| HP                           |         |
|------------------------------|---------|
| DHW configuration            |         |
| Maximum HP DHW T°            | 52°C    |
| Switching differential       | 7°C     |
| Heat./cool. alternating time | 90 mins |

Some settings (or menus) might not be displayed. They are dependent on the installation's configuration (and installed options).



HP configuration > HP

Tariff input configuration

"Type of use": Power shedding + Off-peak hours / Smartgrid.

"EX1: function activation": 230V / 0V.

"EX2: function activation": 230V / 0V.

| Heat Pump                  |                                    |
|----------------------------|------------------------------------|
| Tariff input configuration |                                    |
| Type of use                | Power shedding +<br>Off-peak hours |
| EX1: function activation   | 230V                               |
| EX2: function activation   | 0V                                 |

HP configuration > Electrical back-up

### 8.4.2 Electrical back-up

"Authorisation if outd. T° <": -50°C... 50°C.

"Switching setting": 0°Cmin... 500°Cmin.

| Configuration               |           |
|-----------------------------|-----------|
| Back-up                     |           |
| Authorisation if outd. T° < | 2°C       |
| Switching setting           | 100°C min |

HP configuration > Connection boiler

1 - "Authorisation if outd. T° <": ---, -15°C... 10°C.

"Authorisation if outd. T° >": 0°C... 30°C.

"Switching setting": 10°C.min... 500°C.min.

2 - "Minimum shutdown time": ---, 1min... 120min.

"Post-circulation": 0min... 120min.

"DHW operating": Emergency / Back-up / Priority.

1

| Configuration               |           |
|-----------------------------|-----------|
| Connection boiler           |           |
| Authorisation if outd. T° < | 2°C       |
| Authorisation if outd. T° > | ---°C     |
| Switching setting           | 100°C.min |
| Next                        |           |

2

| Configuration         |           |
|-----------------------|-----------|
| Connection boiler     |           |
| Minimum shutdown time | ---       |
| Post-circulation      | 20min     |
| DHW operating         | Emergency |
| Complete              |           |

Some settings (or menus) might not be displayed. They are dependent on the installation's configuration (and installed options).

System status

### 8.5 System status

Active functions

The "Active Functions" page tells you which services are operating and allows you to change their status.

- "Indoor comfort": Heating / Cooling / Stop.
- "Area 1" / "Area 2" / "Hot water": ON / Stop.

☞ If "Indoor Comfort" is set to "Stop", Area 1 and 2 cannot be modified.

| Active functions |         |
|------------------|---------|
| Indoor comfort   | Heating |
| Area 1           | Start   |
| Area 2           | Start   |
| Hot water        | Start   |

Control panel

The "Control Panel" allows you to see the status of the different functions and actuators.

- 1 - Press the knob to access the "Control Panel" second screen.
- 3 - Press the knob to return to the "System Status" menu.

**1**

| Control panel           |         |
|-------------------------|---------|
| Generator               | 40%     |
| Elec. backup            | Stop    |
| HP circulation pump     | ON      |
| Area 2 circulation pump | ON      |
| Mixing valve            | Stop    |
| DHW valve               | Circuit |
| DHW backup              | ON      |
| Mode                    | Heating |

Next

**2**

| Control panel        |        |
|----------------------|--------|
| HP flow T°           | 11.0°C |
| Return T°            | 9.0°C  |
| Area 2 flow setpoint | 38.0°C |
| Area 2 flow T°       | 12.0°C |
| Outdoor T°           | 26.0°C |
| Setpoint T° DHW      | 55.0°C |
| Hot Water T°         | 55.0°C |

Next

**3**

| Control panel        |          |
|----------------------|----------|
| Power shedding input | Inactive |
| Smartgrid EX2        | Active   |
| External fault input | Inactive |

Complete

Errors history

10: Outside sensor, 32: Flow sensor 2, 33: Flow sensor HP, 44: Return sensor HP, 50: DHW sensor 1, 60: Room sensor 1, 65: Room sensor 2, 83: BSB short-circuit, 127: Legionella temp, 441: BX31 no function, 442: BX24 no function, 443: BX33 no function, 444: BX34 no function, 369: External, 370: Thermodynamic source, 516: Heat pump missing.

For more info about errors § "Fault Diagnosis", page 80.

| Errors history |       |     |
|----------------|-------|-----|
| 10/09/2016     | Error | 441 |
| 10/09/2016     | Error | 369 |
| 09/09/2016     | Error | 441 |
| 09/09/2016     | Error | 369 |
| 20/08/2016     | Error | 369 |
| 20/08/2016     | Error | 369 |
| 01/08/2016     | Error | 441 |
| 01/08/2016     | Error | 369 |
| 14/07/2016     | Error | 441 |
| 06/05/2016     | Error | 441 |

Some settings (or menus) might not be displayed. They are dependent on the installation's configuration (and installed options).

System status

Temperature control

See "7.6 Temperature control", page 52.

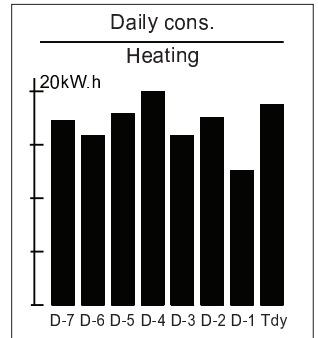
Energy consumption

Consumption can be displayed per usage:

- Heating (Zones 1 and 2).
- Cooling.
- Domestic Hot Water (DHW).
- Total (Heating + Cooling + Hot Water).

This information is available for:

- the last 8 days: daily consumption (Tdy = Today, D-1 = yesterday, etc.).
- the last 12 months: monthly consumption (Initial letter of month. e.g. J = January, etc.).
- the last 10 years: annual consumption (last 2 digits. e.g. 16 = 2016).



Example for daily consumption of the heating system.

Some settings (or menus) might not be displayed. They are dependent on the installation's configuration (and installed options).

## Auxiliary functions

## 8.6 Auxiliary functions

## Floor drying

- Choose the zone.
- Choose the "Drying type": *Stop / Automatic / Manual*.
- Set the "Flow T° setpoint": *0°C... 95°C*.

| Area 1 floor drying |      |
|---------------------|------|
| Drying type         | Stop |
| Flow T° setpoint    | 25°C |

## Emergency mode

- Stop: The HP is operating normally (with backup if necessary).
  - Start: The HP is using the backup heating or boiler connection.
- Use the "Start" setting only in emergency or test mode as your heating bill could be large.

| Emergency mode          |
|-------------------------|
| Activate emergency mode |

Some settings (or menus) might not be displayed. They are dependent on the installation's configuration (and installed options).

Auxiliary functions

Relay test

- "HP circulation pump": ON / ----
- "Elec. backup 1": ON / ----
- "Area 2 circulation pump": ON / ----
- "Mixing valve": Open / Close / ----
- "DHW valve": DHW / ----
- "DHW backup": ON / ----
- "Boiler connection": ON / ----
- "Boiler connection ON / Stop": ON / ----

| Relay test              |      |
|-------------------------|------|
| HP circulation pump     | ---- |
| Elec. backup 1          | ---- |
| Area 2 circulation pump | ---- |
| Mixing valve            | ---- |
| DHW valve               | ---- |
| DHW backup              | ---- |

Outd. T° simulation

- "Simulated Outd. T°" : -55°C... 50°C.

| Outd. T° simulation   |
|---|
| Simulated Outd. T°<br><span style="background-color: black; color: white; padding: 2px 10px;">----</span> |

Reset factory configuration

The factory settings, stored within the controller, will replace and delete any custom programs.

☞ **Your custom settings will therefore be lost.**

| Reset factory configuration |
|-----------------------------|
| Reset factory configuration |

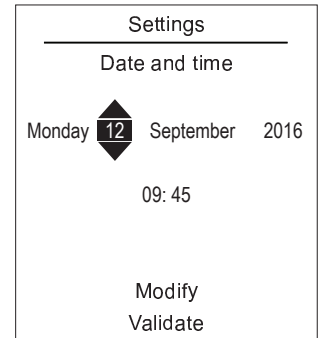
Some settings (or menus) might not be displayed. They are dependent on the installation's configuration (and installed options).

Settings

## 8.7 Settings

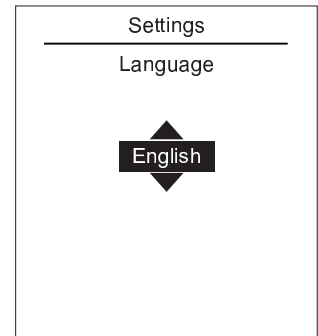
Date and time

To set the appliance's date and time, access the menu:  
"Settings" > "Date and Time".



Language

To set the appliance's language, access the menu:  
"Settings" > "Language".



Some settings (or menus) might not be displayed. They are dependent on the installation's configuration (and installed options).

Settings

Advanced/simplified menu

Two display modes for menus and appliance functions are available:

- **Advanced menu:**

- The appliance follows the time programming defined in paragraph "Time programming", page 59.

- **Simplified menu\*:**

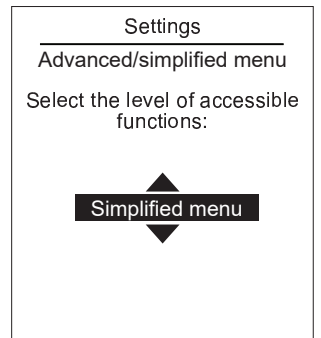
- The appliance operates at a constant temperature set directly by the user.

- Some functions are no longer accessible.

\* The "Simplified Menu" setting is not compatible with the Cozytouch application.

Choose the display mode from the menu:

"Settings" > "Advanced/Simplified menu".



Setting the temperature in the Simplified Menu

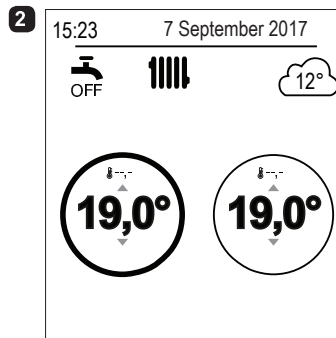
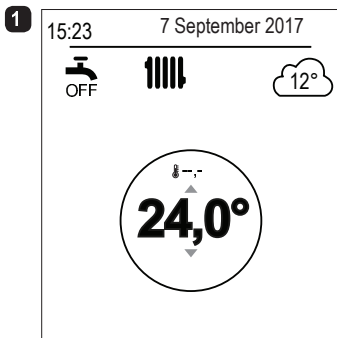
1 zone

1- Turn the knob to adjust the temperature directly.

2 zones

2 - Select the zone. Accept.

4 - Set the temperature using the knob. Accept.



Some settings (or menus) might not be displayed. They are dependent on the installation's configuration (and installed options).

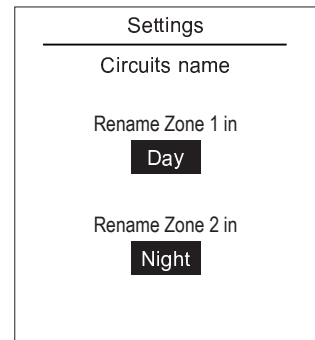
Settings

Areas name

You can customise the zone names from the menu:

*"Settings" > "Areas name".*

Available names: *"Area 1" / "Area 2" / "Day area" / "Night area" / "1st floor" / "Lounge" / "G. floor" / "Bedroom" / "Floor" / "Radiator".*



Settings

Connectivities

Connection

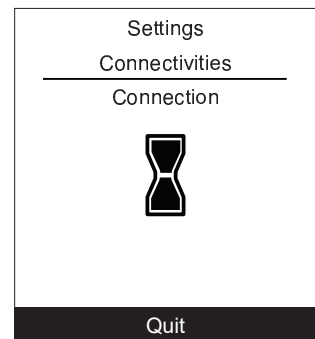
To connect a room sensor, go to the menu:

*"Settings" > "Connectivities" > "Connection".*


The appliance waits for pairing for 10 minutes.

☞ **See the room sensor's installation instructions.**

☞ **The "Connection" menu is no longer accessible if a sensor has already paired.**

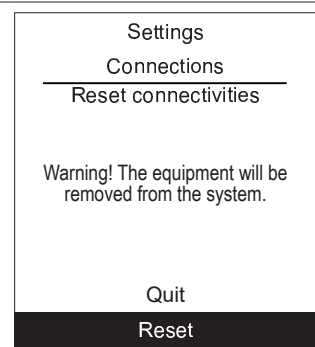


Reset connections

 All pairings are re-initialised annually.

Select "Re-set" in the menu:

*"Settings" > "Connections" > "Re-set Connections".*



*Some settings (or menus) might not be displayed. They are dependent on the installation's configuration (and installed options).*



Settings

Software versions

---

Show the display and controller software versions.

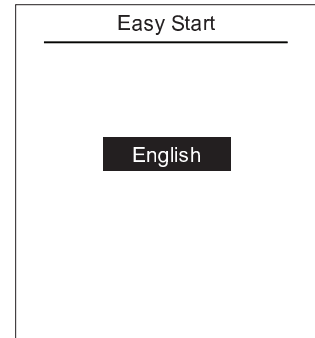
| Software version                  |
|-----------------------------------|
| HMI:<br>xxxx xxxx xxxx xxxx       |
| Controller:<br>RVS21 - 85.002.030 |

*Some settings (or menus) might not be displayed. They are dependent on the installation's configuration (and installed options).*

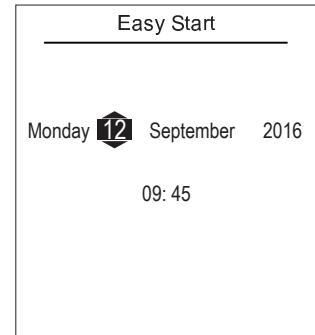
## Easy Start

## 8.8 Easy Start

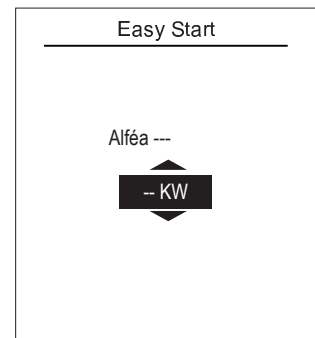
- Turn the knob to choose the language.
- Press the knob to accept.



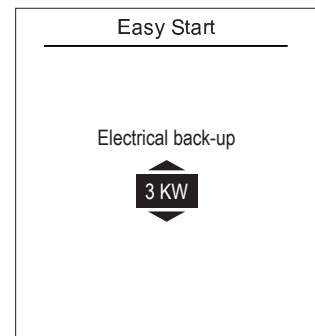
- Turn the knob to adjust the date. Press the knob to accept.
- Repeat this operation for the month, year, hours and minutes.



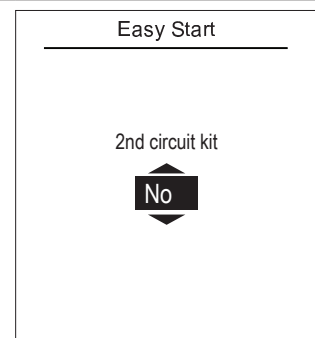
- Set the appliance's power.



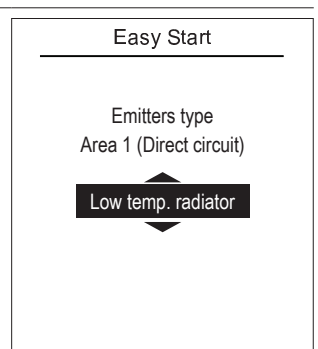
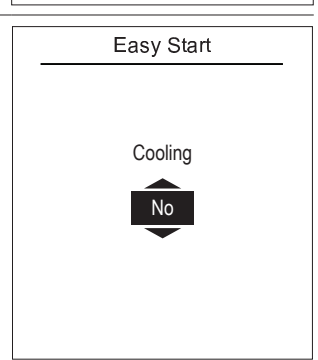
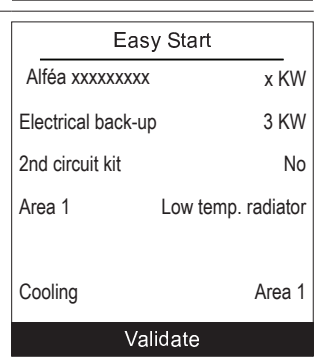
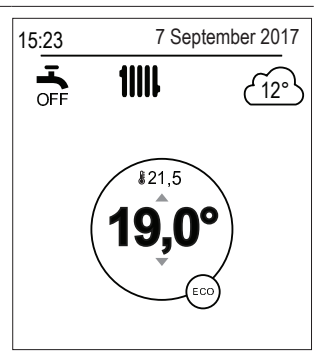
- Set the Electrical backup power:  
*3kW / 6kW / 9kW / None.*



- If the installation covers 2 zones, set "2nd circuit kit" to "Yes".



*Some settings (or menus) might not be displayed. They are dependent on the installation's configuration (and installed options).*

|  |   |
|--|---|
| <p>- Choose the radiator type for each zone:<br/><i>Low temp. radiator / Heat. floor system / Dynamic Radiators / Radiators.</i></p> |    |
| <p>- If the installation is fitted with cooling function, choose the zone(s):<br/><i>None / Area 1 / Area 2 / Area 1 and 2.</i></p>  |    |
| <p>- Appliance settings summary screen. Press the knob to accept.<br/>- The appliance starts initialising.</p>                       |   |
| <p>- The welcome screen is displayed (screen varies depending on installed options).</p>   |  |

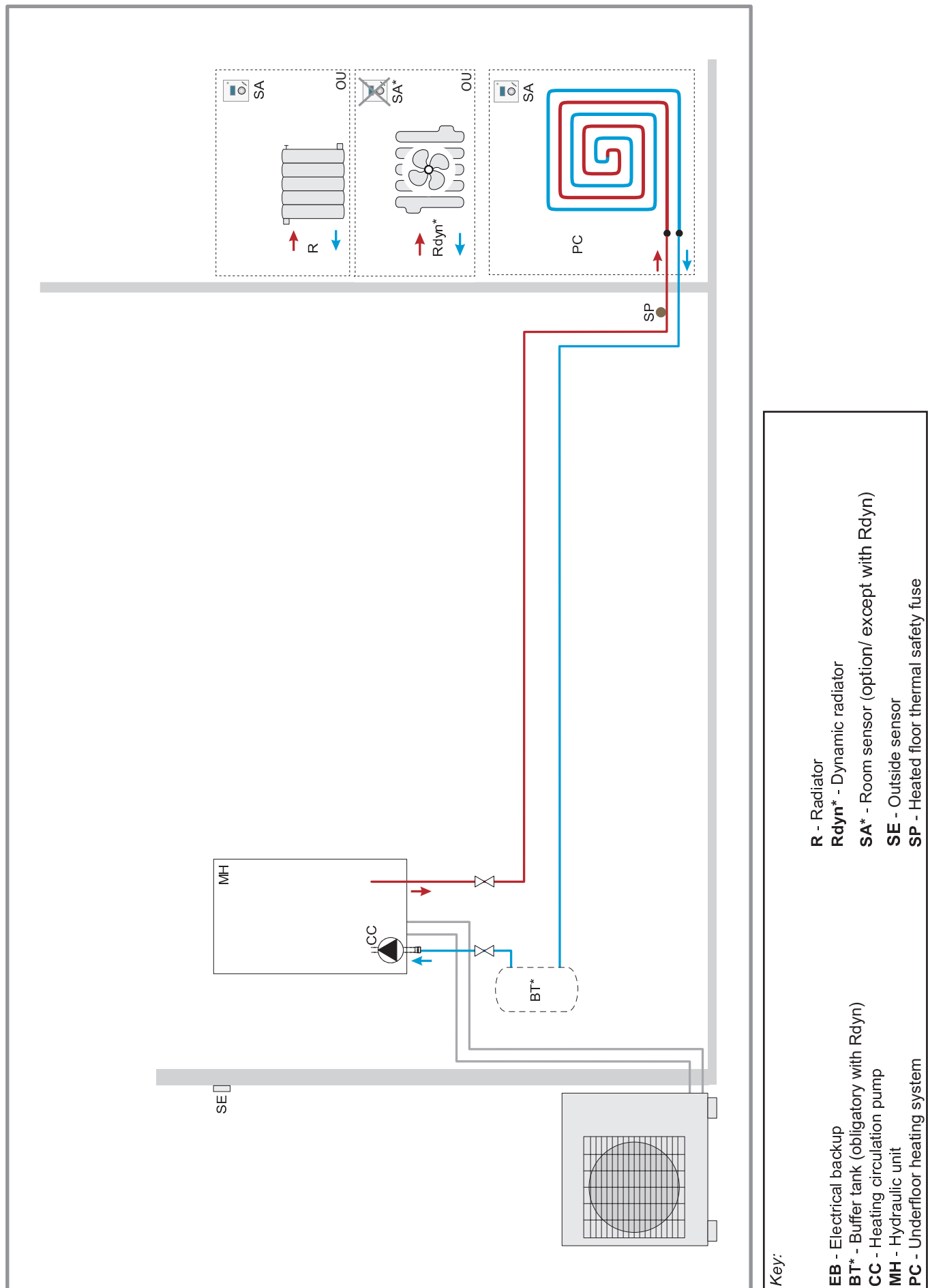
Upon commissioning, the electrical backup heaters or boiler are liable to start up even if the outdoor temperature at the time is above the heaters' trigger temperature.

The controller uses the initial average outdoor temperature of 0°C and needs time to update this temperature.

*Some settings (or menus) might not be displayed. They are dependent on the installation's configuration (and installed options).*

# 9 Basic Hydraulic Layout

## • Configuration 1: 1 heating circuit

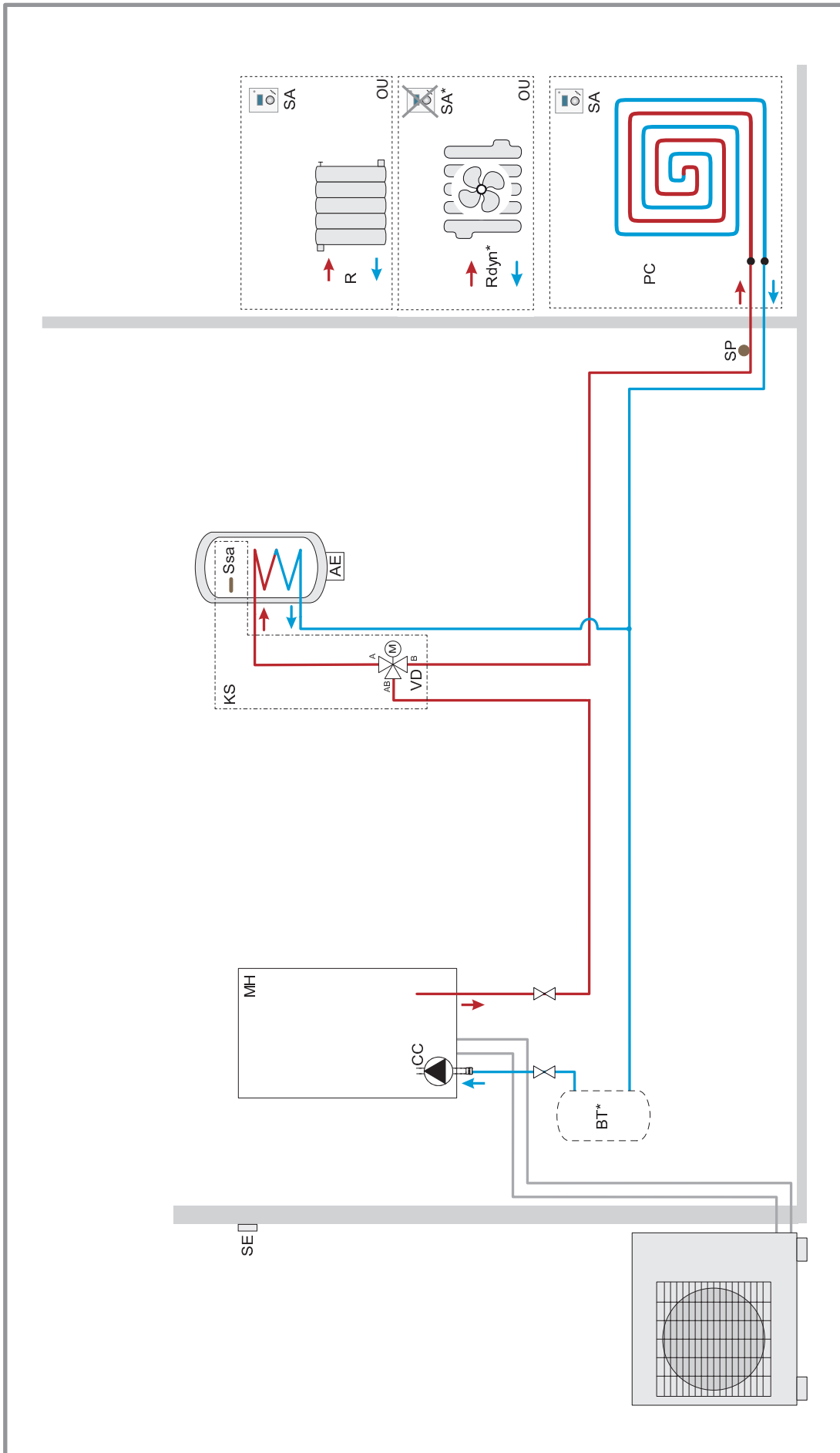


Key:

- EB** - Electrical backup
- BT\*** - Buffer tank (obligatory with Rdyn)
- CC** - Heating circulation pump
- MH** - Hydraulic unit
- PC** - Underfloor heating system

- R** - Radiator
- Rdyn\*** - Dynamic radiator
- SA\*** - Room sensor (option/ except with Rdyn)
- SE** - Outside sensor
- SP** - Heated floor thermal safety fuse

• Configuration 1: 1 heating circuit and mixed hot water tank



Key:

- EB** - Electrical backup
- BT\*** - Buffer tank (obligatory with Rdyn, if HP>11kW)
- CC** - Heating circulation pump
- KS** - DHW kit
- MH** - Hydraulic unit
- PC** - Underfloor heating system
- R** - Radiator
- Rdyn\*** - Dynamic radiator
- SA\*** - Room sensor (option/ except with Rdyn)
- Ssa** - Hot water sensor
- SE** - Outside sensor
- SP** - Heated floor thermal safety fuse
- VD** - Distribution valve

# 10 Electrical Cabling Plans

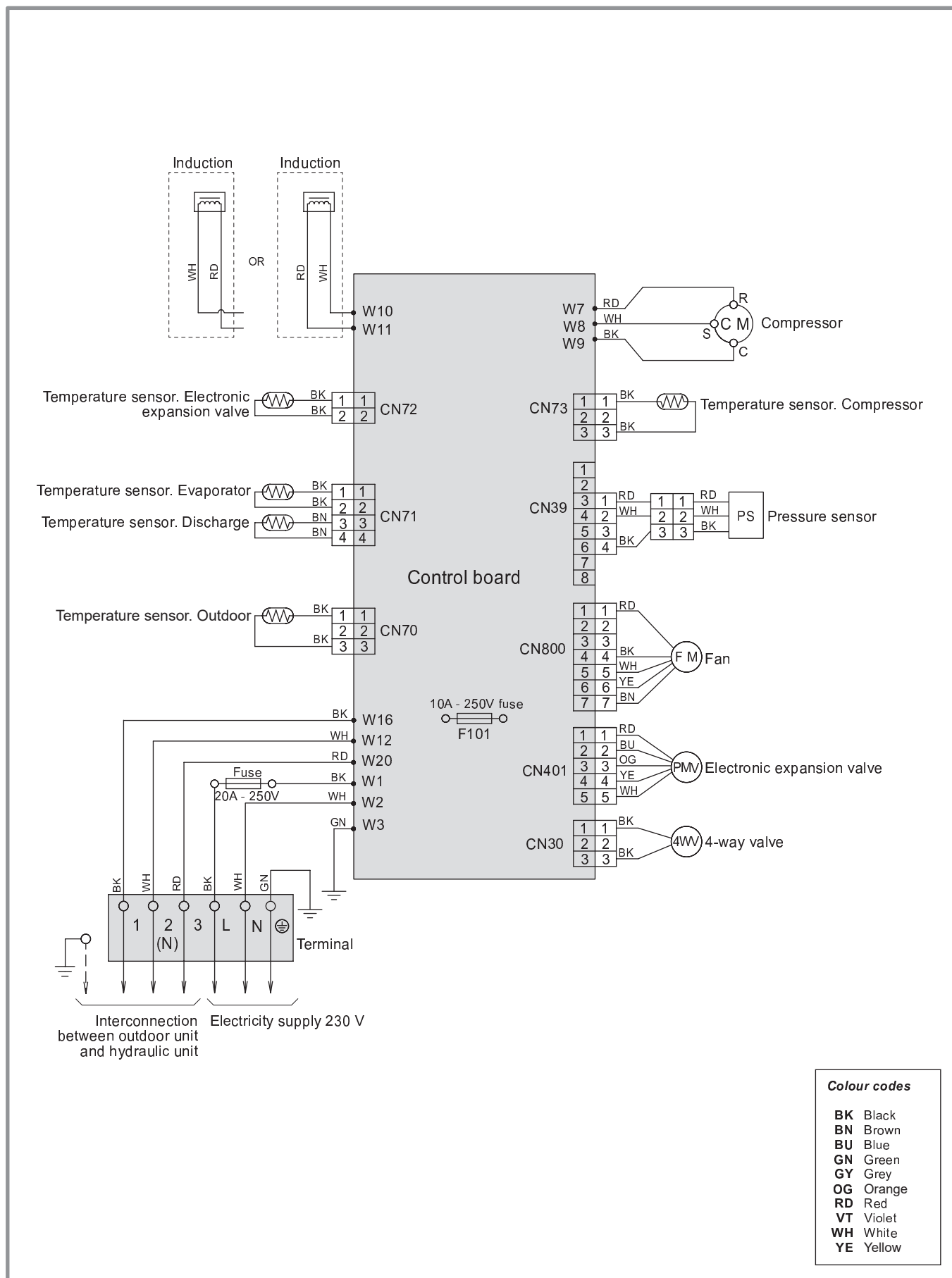


figure 41 - Outdoor unit electrical cabling Alféa Extensa A.I. 5 and 6

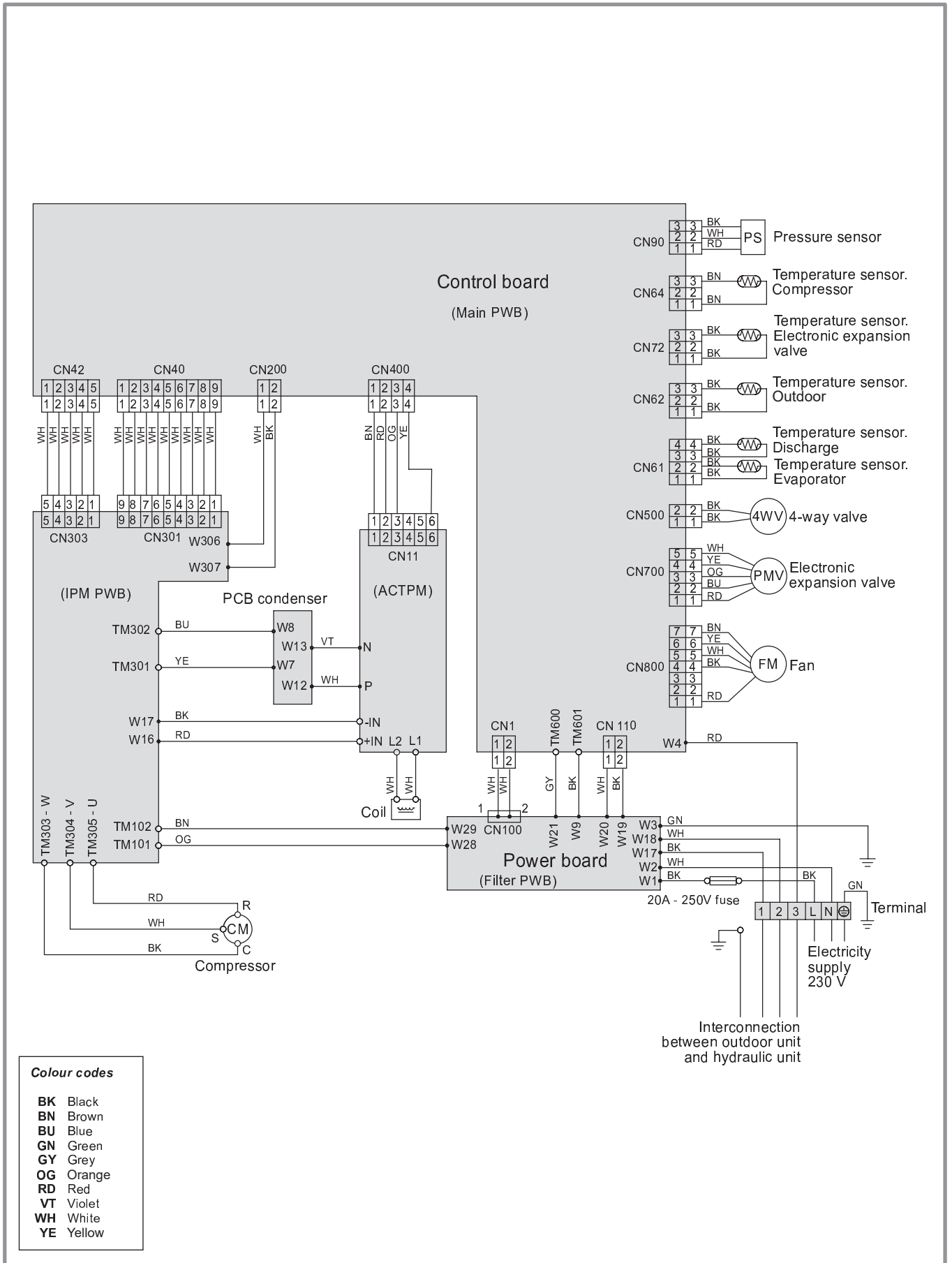


figure 42 - Outdoor unit electrical cabling Alféa Extensa A.I. 8

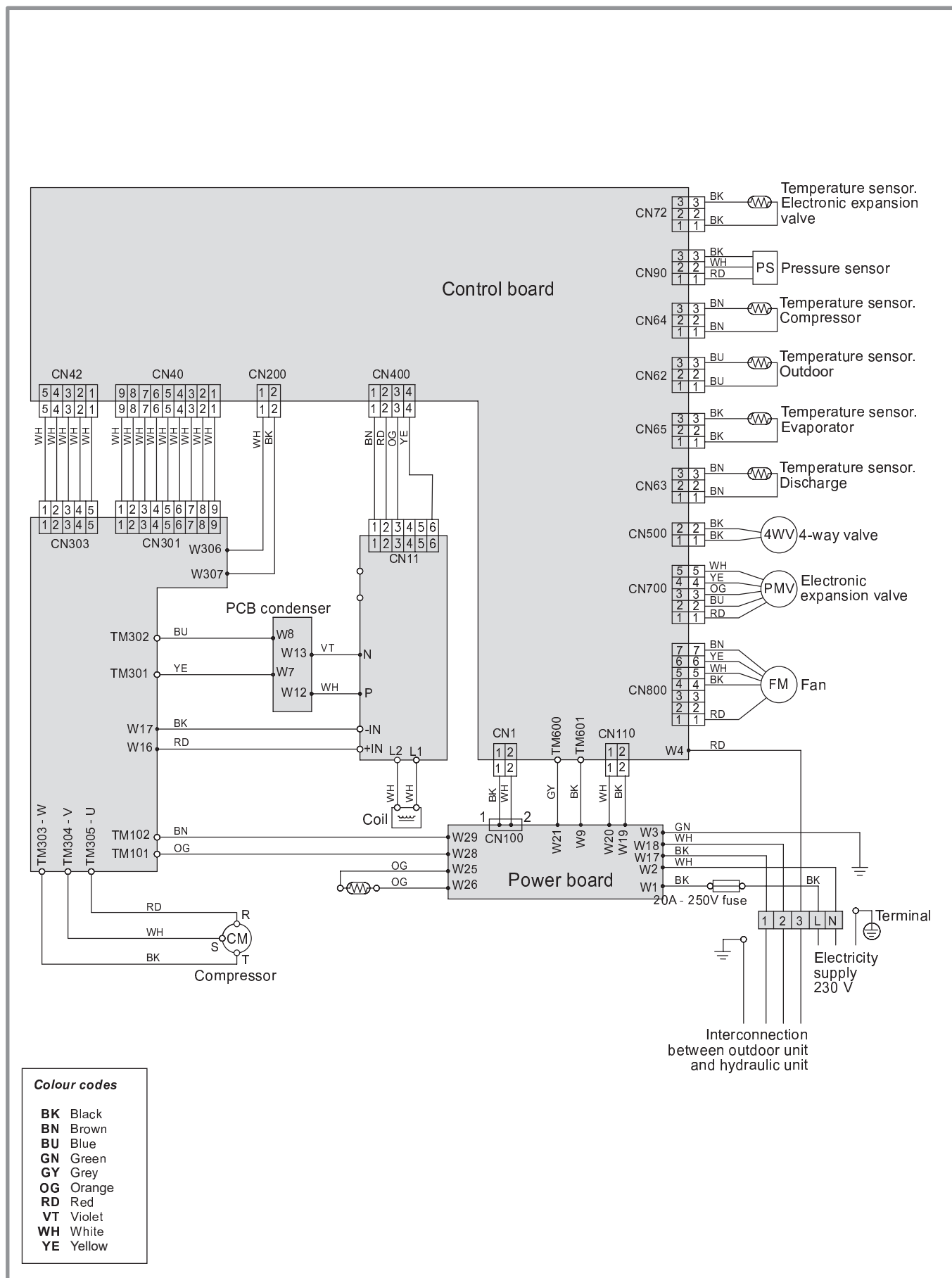


figure 43 - Outdoor unit electrical cabling Alféa Extensa A.I. 10





Lined area for notes or signature.

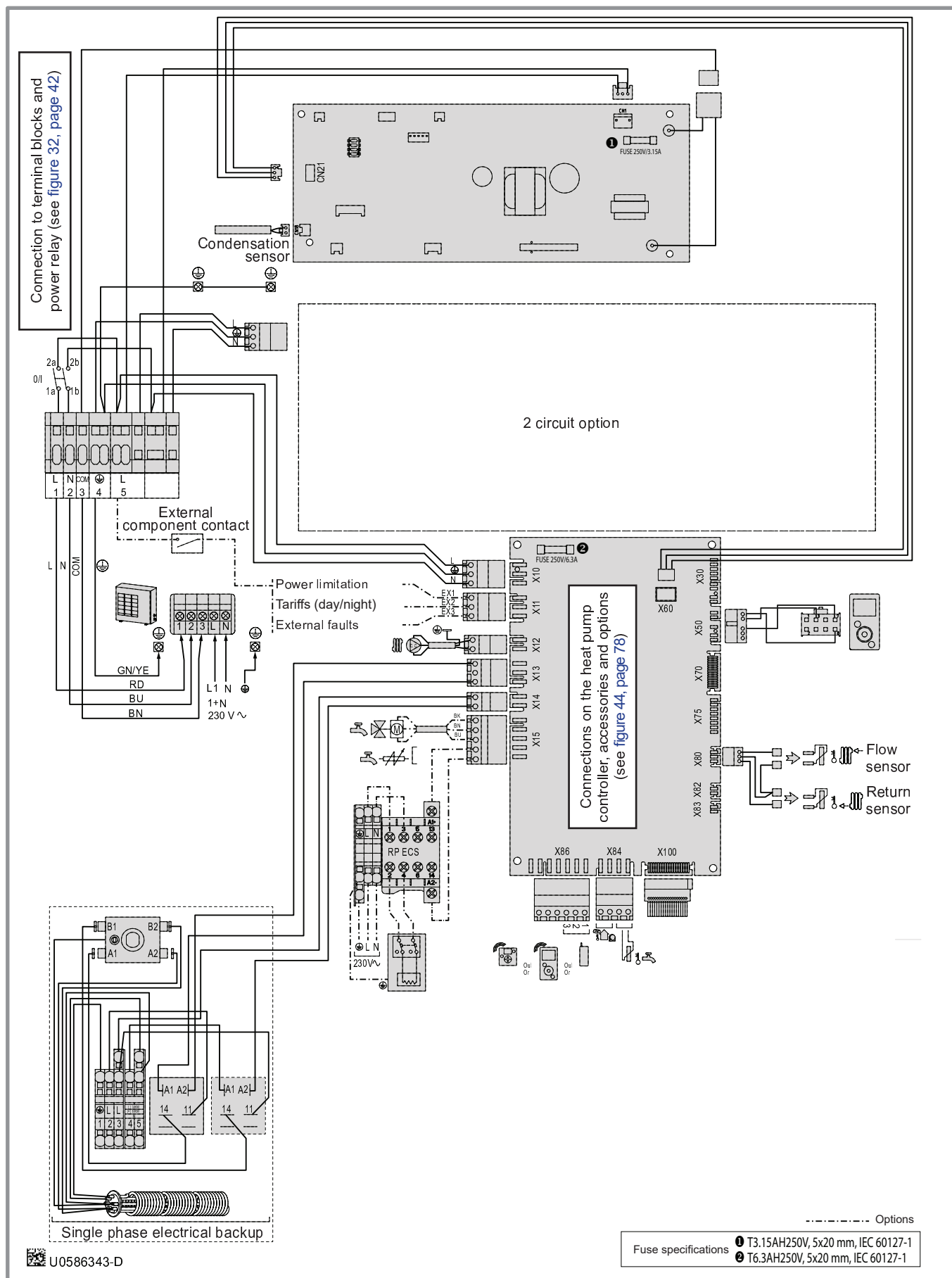
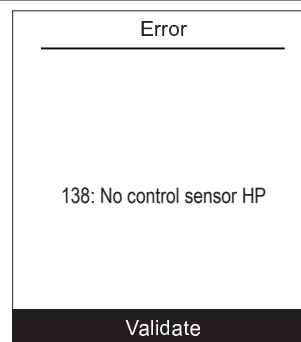
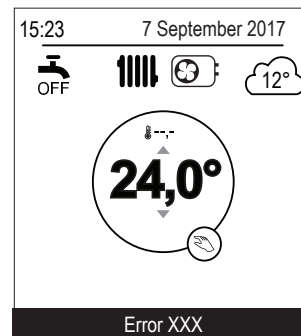


figure 44 - Electrical wiring of hydraulic unit (excluding connections made by installer)



# 11 Fault Diagnosis

If a fault occurs, the error number appears on the welcome screen. To obtain the error's designation, select it using the knob.



☞ In the event of an error originating in the outdoor unit, the user interface displays error code "370: Thermodynamic Generator" followed by the outdoor unit error.

☞ The error log can be viewed in the "System Status" > "Errors history", page 62.

## 11.1 Faults in the Hydraulic Unit

| Error | Designation          | Probable causes   | Proposed actions  |
|-------|----------------------|---|---|
| 10    | Outside sensor       | Short-circuit.<br>Unplugged or disconnected sensor.<br>Faulty sensor.<br>Other fault. | - Check the sensor's wiring.<br>- Replace the sensor.     |
| 32    | Flow sensor 2        |   |   |
| 33    | Flow sensor HP       |   |   |
| 44    | Return sensor HP     |   |   |
| 50    | DHW sensor 1         |   |   |
| 60    | Room sensor 1        |   |   |
| 65    | Room sensor 2        |   |   |
| 83    | BSB, short circuit   | Wiring problem (between the sensor or remote control, display and controller).        | - Check the wiring.                                       |
| 127   | Legionella temp      | Anti-legionella temp setpoint not reached.  | - Check the wiring of the DHW backup / boiler connection. |
| 441   | BX31 no function     | Short-circuit.<br>Unplugged or disconnected sensor.<br>Faulty sensor.<br>Other fault. | - Check the sensor's wiring.<br>- Replace the sensor.     |
| 442   | BX24 no function     |   |   |
| 443   | BX33 no function     |   |   |
| 444   | BX34 no function     |   |   |
| 369   | External             | External safety triggered EX3.  | -   |
| 370   | Thermodynamic source | See details in "Faults in the outdoor unit".  | -   |
| 516   | Heat pump missing    | Loss of connection between controller and HP.   | - Check the wiring between X60 and the interface board.   |

☞ Before any maintenance operation, make sure that the general power supply is switched off.

☞ Frost protection is not available when the heat pump is not powered up.

## 11.2 Faults in the Outdoor Unit

| Error | Interface Board |         | Outdoor Unit Board | Error designation                             |
|-------|-----------------|---------|--------------------|---|
|       | LED Green       | LED Red | LED                |   |
| 11    | 1               | 1       | Off                | Serial communication error                    |
|       |                 |         | 1                  |   |
| 32    | 3               | 2       | -                  | UART communications error                     |
| 42    | 4               | 2       | 22                 | Hydraulic unit heat-exchange thermistor error |
| 63    | 6               | 3       | 18                 | Inverter error                                |
| 64    | 6               | 4       | 19                 | Active filter error, PFC error                |
| 71    | 7               | 1       | 2                  | Discharge thermistor error                    |
| 72    | 7               | 2       | 8                  | Compressor thermistor error                   |
| 73    | 7               | 3       | 5                  | Heat-exchange thermistor error (centre)       |
|       |                 |         | 4                  | Heat-exchange thermistor error (outlet)       |
| 74    | 7               | 4       | 7                  | Outdoor thermistor error                      |
| 77    | 7               | 7       | 9                  | Heat sink thermistor error (inverter)         |
|       |                 |         | 10                 | Heat sink thermistor error (P.F.C.)           |
| 78    | 7               | 8       | 6                  | Expansion valve thermistor error              |
| 84    | 8               | 4       | -                  | Current sensor error                          |
| 86    | 8               | 6       | 3                  | Pressure sensor error / Pressure switch error |
| 94    | 9               | 4       | 13                 | Current tripped                               |
| 95    | 9               | 5       | 15                 | Compressor motor control error                |
| 97    | 9               | 7       | 16                 | Outdoor unit fan motor error                  |
|       |                 |         | 17                 |   |
| A1    | 10              | 1       | 11                 | Discharge temperature 1 protection            |
| A3    | 10              | 3       | 12                 | Compressor temperature protection             |
| A5    | 10              | 5       | 20                 | Low pressure abnormal                         |
| -     | -               | -       | -                  | Outdoor unit error                            |

## 12 Maintenance of the installation

---

- ☞ Before any maintenance operation, make sure that the general power supply is switched off.

### 12.1 Hydraulic checks

- ☞ If frequent refills are required it is absolutely essential that you check for any leaks. If refilling and a pressure reset are necessary, check what type of fluid was used initially.

Recommended filling pressure: between 1 and 2 bar (the exact filling pressure is determined by the water pressure in the installation).

Every year,

- Check the expansion circuit pressure (pre-inflation of 1 bar) and the correct operation of the safety valve.

If the installation is fitted with a hot water tank:

- Check the safety valve on the cold water supply inlet. Make it operate as advised by the manufacturer.
- Check the back flow preventer.

### 12.2 Checking the outdoor unit

- Remove any dust from the exchanger, if necessary, while making sure not to damage the blades.
- Straighten the blades using a comb.
- Check that there is nothing blocking the air flow.
- Check the fan.
- Verify that condensate drain is not obstructed.

#### • Checking the refrigeration circuit

If the amount of refrigerant in the system exceeds 2kg (models > 10kW), the refrigeration circuit must be checked annually by an approved engineer (they must have a certificate of competence for the handling of refrigerants).

- Check there are no leaks (connections, valves...).

### 12.3 Electrical checks

- Check the connections and re-tighten if necessary.
- Check the state of the cables and plates.

## 13 Other maintenance

---

### 13.1 Emptying the hydraulic unit

- Remove the front panel of the hydraulic unit.
- Open the drain plug,
- Check that the hydraulic unit's bleeder valve opens automatically,
- Open the installation's bleeder valve(s).

### 13.2 Distribution valve

If the installation is fitted with a hot water tank.

Ensure the distribution valve is fitted in the correct direction.

Channel **AB**: Outlet to the hydraulic unit.

Channel **A** open: Return from DHW tank.

Channel **B** open: Return from the heating circuit.

# 14 Quick-start procedure

Before switching on the hydraulic unit:

- Check the electric wiring.
- Check the refrigeration circuit and make sure that it has been gassed.
- Check the hydraulic circuit's pressure (1 to 2 bar), check that the heat pump has been bled, along with the rest of the installation.
- Make sure that ALL DIP SW on the interface board are OFF before starting up.

## 14.1 Start-up check-list

### 14.1.1 Before starting-up

#### • Sight checks

Outdoor unit (see chapter "Installation of the outdoor unit", page 20).

|   | OK | Not compliant |  |
|---|----|---------------|--|
| Location and fittings, condensate evacuation. |    |               |  |
| Comply with distances from obstacles.         |    |               |  |

#### • Hydraulic checks

Hydraulic unit (see chapter "Installation of the hydraulic unit", page 22).

|   | OK | Not compliant | Value |
|---|----|---------------|-------|
| Connection of pipes, valves and pumps (heating circuit, DHW).       |    |               |       |
| Installation water volume (expansion vessel of adequate capacity?). |    |               |       |
| No leaks.   |    |               |       |
| Main system pressure and degassing.                                 |    |               |       |

#### • Refrigeration connections and checks

(see chapters "Refrigeration connections and filling the installation with gas", page 24).

|  | OK | Not compliant |  |
|--|----|---------------|--|
| Check the refrigeration circuits (sealing, no dust or humidity).                   |    |               |  |
| Connections between units (pipe length, flare tightening torque...).               |    |               |  |
| Installation of HP pressure gauges and vacuum gauges on the gas line (large tube). |    |               |  |
| Pump down mandatory.   |    |               |  |
| Nitrogen leak test (~ 10 bar).   |    |               |  |
| Opening of refrigeration valves to outdoor unit.                                   |    |               |  |
| Refrigerant filling for the hydraulic module and pipes.                            |    |               |  |

#### • Electrical checks

Outdoor unit (see chapter "Electrical connections", page 38).

|                                      | OK | Not compliant | Value |
|--------------------------------------|----|---------------|-------|
| Main power supply 230v.              |    |               |       |
| Protection by rated circuit breaker. |    |               |       |
| Cable dimensions.                    |    |               |       |
| Earth connection.                    |    |               |       |

Hydraulic unit (see chapter "Electrical connections on the hydraulic unit side", page 42).

|   | OK | Not compliant |  |
|---|----|---------------|--|
| Connection to the outdoor unit (L, N, Earth).                         |    |               |  |
| Sensors connection (positioning and connections).                     |    |               |  |
| Distribution valve connections (boiler and DHW) and circulation pump. |    |               |  |
| Power supply and protection of electric backup (option).              |    |               |  |



### 14.1.2 Starting-up

#### • Quick Start Procedure

(see chapter "Controller Menu", page 54).

|  | OK | Not compliant |  |
|--|----|---------------|--|
| Close the installation's main circuit breaker (outdoor unit power supply) <u>2 hours before testing</u> => Preheating of the compressor. |    |               |  |
| Press the On/Off Switch => Initialisation takes several seconds.   |    |               |  |
| Operation of the heating circulation pump.   |    |               |  |
| Outdoor unit starts after 4 mins.  |    |               |  |
| Configure Time, Date and Heating circuit, DHW period programs if different from the default values.                                      |    |               |  |
| Configure the hydraulic circuit.   |    |               |  |
| Set the heating gradient.  |    |               |  |
| Adjust the max flow setpoint.  |    |               |  |

#### • Outdoor unit checks

|  | OK | Not compliant | Value |
|--|----|---------------|-------|
| Operation of fan(s), compressor.                                 |    |               |       |
| Current measurement.   |    |               |       |
| After several minutes measure the difference in air temperature. |    |               |       |
| Check condensation and evaporation pressure/temperature.         |    |               |       |

#### • Hydraulic unit checks

|   | OK | Not compliant | Value |
|---|----|---------------|-------|
| After 15 mins of operation.               |    |               |       |
| Primary water temp. difference.           |    |               |       |
| Operation of heating, boiler backup, etc. |    |               |       |

#### • Temperature controller

(see chapter "Controller Menu", page 54).

|   | OK | Not compliant |  |
|---|----|---------------|--|
| Settings, maintenance, checks.  |    |               |  |
| Program the heating periods.  |    |               |  |
| Adjust the setpoints for the heating circuits if different from the default values. |    |               |  |
| Setpoint display.   |    |               |  |
| Explanations of use.  |    |               |  |

**The heat pump is ready for operation!**

## 14.2 Commissioning technical datasheet

|  |                           |     |    |  |            |           |  |    |
|--|---------------------------|-----|----|--|------------|-----------|--|----|
| <b>Site</b>  |                           |     |    | <b>Installer</b>                                       |            |           |  |    |
| <b>Outdoor unit</b>                                      | Serial N°.                |     |    | <b>Hydraulic unit</b>                                  | Serial N°. |           |  |    |
|  | Model                     |     |    |  | Model      |           |  |    |
| <b>Refrigerant type</b>                                  |                           |     |    | <b>Refrigerant load</b>                                |            | <b>Kg</b> |  |    |
| <b>Checks</b>  |                           |     |    | <b>Operating voltage &amp; current on outdoor unit</b> |            |           |  |    |
| Compliance with positioning distances                    |                           |     |    | L/N  |            |           |  | V  |
| Condensate evacuation correct                            |                           |     |    |  |            |           |  |    |
| Electric connections / connections tightness             |                           |     |    | L/E  |            |           |  | V  |
| No GAS leaks (unit ID N° : )                             |                           |     |    |  |            |           |  |    |
| Installation refrigeration connection correct (length m) |                           |     |    | N/E  |            |           |  | V  |
| <b>Taken in operation when HOT</b>                       |                           |     |    | Icomp  |            |           |  | A  |
| Compressor discharge temperature                         |                           | °C  |    |  |            |           |  |    |
| Liquid line temp.  |                           | °C  |    |  |            |           |  |    |
| Condensation temperature                                 | HP =                      | bar | °C | Under-cooling  |            |           |  | °C |
| Tank water output temperature                            |                           |     | °C | ΔCondensation Temp.                                    |            |           |  | °C |
| Tank water input temperature                             |                           |     | °C | ΔSecondary Temp.                                       |            |           |  | °C |
| Evaporation temperature                                  | LP =                      | bar | °C |  |            |           |  |    |
| Suction Temp.  |                           |     | °C | Overheating  |            |           |  | °C |
| Battery air input temperature                            |                           |     | °C | ΔEvaporation Temp.                                     |            |           |  | °C |
| Battery air output temperature                           |                           |     | °C | ΔBattery Temp.   |            |           |  | °C |
| <b>Hydraulic network on hydraulic unit</b>               |                           |     |    |  |            |           |  |    |
| Secondary system   | Underfloor heating system |     |    | Circulation pump brand                                 | Type       |           |  |    |
|  | LT Radiators              |     |    |  |            |           |  |    |
|  | Fan coils                 |     |    |  |            |           |  |    |
| Domestic hot water; tank type                            |                           |     |    |  |            |           |  |    |
| Estimated water volume of secondary system               |                           |     |    | L  |            |           |  |    |
| <b>Options &amp; accessories:</b>                        |                           |     |    |  |            |           |  |    |
| Power supply for electric backup                         |                           |     |    | Room sensor A59  |            |           |  |    |
| Correct location of room sensor                          |                           |     |    | Wireless room sensor A75                               |            |           |  |    |
| 2 circuit kit  |                           |     |    | Wireless room sensor A78                               |            |           |  |    |
| Boiler connection kit                                    |                           |     |    |  |            |           |  |    |
| DHW kit  |                           |     |    | Details  |            |           |  |    |
| Cooling kit  |                           |     |    |  |            |           |  |    |
| <b>Control settings</b>                                  |                           |     |    |  |            |           |  |    |
| Configuration type                                       |                           |     |    |  |            |           |  |    |
| Essential settings                                       |                           |     |    |  |            |           |  |    |



A series of horizontal lines spaced evenly down the page, providing a template for handwritten notes or a signature.

# 15 ErP performance figures

## 15.1 Definition of ErP

The term "ErP" includes two directives that are part of the European program for reducing greenhouse gases:

- The Ecodesign Directive establishes efficiency thresholds and prohibits the marketing of products whose efficiency is below these thresholds.
- The Energy Labelling Directive requires an energy performance label for products, in order to encourage customers to buy products that consume less energy.

## 15.2 ErP specification

| Trade name / Product name:  | Atlantic / Alféa ... |        | Extensa A.I. 5 |      | Extensa A.I. 6 |      | Extensa A.I. 8 |      | Extensa A.I. 10 |      |
|---|----------------------|--------|----------------|------|----------------|------|----------------|------|-----------------|------|
| Export code   |                      |        | 526220         |      | 526221         |      | 526222         |      | 526223          |      |
| Heating applications  |                      |        | 35°C           | 55°C | 35°C           | 55°C | 35°C           | 55°C | 35°C            | 55°C |
| Air/water heat pump   | Yes                  |        |                |      |                |      |                |      |                 |      |
| Equipped with a backup heater   | Yes                  |        |                |      |                |      |                |      |                 |      |
| Average climate - Space heating   |                      |        |                |      |                |      |                |      |                 |      |
| Energy class (product)  | -                    | -      | A++            | A+   | A++            | A+   | A++            | A+   | A++             | A+   |
| Energy class (package)  | -                    | -      | A++            | A+   | A++            | A+   | A++            | A+   | A++             | A+   |
| Rated heat output <sup>(2)</sup>  | P <sub>rated</sub>   | kW     | 4              | 4    | 5              | 5    | 7              | 6    | 8               | 8    |
| Rated energy efficiency   | η <sub>s</sub>       | %      | 169            | 115  | 169            | 115  | 156            | 118  | 155             | 113  |
| Rated energy efficiency with outside sensor <sup>(1)</sup>  | η <sub>s</sub>       | %      | 171            | 117  | 171            | 117  | 158            | 120  | 157             | 115  |
| Rated energy efficiency with room sensor <sup>(1)</sup>   | η <sub>s</sub>       | %      | 173            | 119  | 173            | 119  | 160            | 122  | 159             | 117  |
| Annual energy consumption   | Q <sub>he</sub>      | kWh    | 2160           | 3027 | 2505           | 3180 | 3375           | 3886 | 4415            | 5415 |
| Colder climate - Space heating  |                      |        |                |      |                |      |                |      |                 |      |
| Rated heat output <sup>(2)</sup>  | P <sub>rated</sub>   | kW     | NA             |      |                |      |                |      |                 |      |
| Rated energy efficiency   | η <sub>s</sub>       | %      |                |      |                |      |                |      |                 |      |
| Annual energy consumption   | Q <sub>he</sub>      | kWh    |                |      |                |      |                |      |                 |      |
| Warmer climate - Space heating  |                      |        |                |      |                |      |                |      |                 |      |
| Rated heat output <sup>(2)</sup>  | P <sub>rated</sub>   | kW     | 4              | 4    | 5              | 4    | 6              | 5    | 8               | 6    |
| Rated energy efficiency   | η <sub>s</sub>       | %      | 217            | 139  | 212            | 138  | 207            | 138  | 196             | 136  |
| Annual energy consumption   | Q <sub>he</sub>      | kWh    | 1090           | 1423 | 1167           | 1531 | 1439           | 1934 | 2203            | 2422 |
| Acoustic data   |                      |        |                |      |                |      |                |      |                 |      |
| Sound power level of hydraulic unit   | L <sub>WA</sub>      | dB (A) | 46             |      |                |      |                |      |                 |      |
| Sound power level of outdoor unit   | L <sub>WA</sub>      | dB (A) | 63             | 63   | 69             | 69   |                |      |                 |      |
| Declared heat output with a partial load for an indoor temperature of 20°C and an outdoor temperature of T <sub>j</sub> |                      |        |                |      |                |      |                |      |                 |      |
| T <sub>j</sub> = -7°C   | P <sub>dh</sub>      | kW     | 4.0            | 3.8  | 4.6            | 4.0  | 5.8            | 5.3  | 7.5             | 6.7  |
| T <sub>j</sub> = +2°C   | P <sub>dh</sub>      | kW     | 2.4            | 2.3  | 2.8            | 2.5  | 3.5            | 3.1  | 4.5             | 4.1  |
| T <sub>j</sub> = +7°C   | P <sub>dh</sub>      | kW     | 2.0            | 1.7  | 2.3            | 1.7  | 2.3            | 2.0  | 3.5             | 3.2  |
| T <sub>j</sub> = +12°C  | P <sub>dh</sub>      | kW     | 2.3            | 2.1  | 2.3            | 2.1  | 2.4            | 2.2  | 4.0             | 4.0  |
| T <sub>j</sub> = bivalent temperature   | P <sub>dh</sub>      | kW     | 4.0            | 3.8  | 4.6            | 4.0  | 5.8            | 5.3  | 7.5             | 6.7  |
| T <sub>j</sub> = operating temperature limit  | P <sub>dh</sub>      | kW     | 3.9            | 3.2  | 4.5            | 3.5  | 5.6            | 4.9  | 7.0             | 5.9  |
| Bivalent temperature  | T <sub>biv</sub>     | °C     | -7             | -7   | -7             | -7   | -7             | -7   | -7              | -7   |
| Degradation coefficient <sup>(3)</sup>  | C <sub>dh</sub>      | -      | 0.9            | 0.9  | 0.9            | 0.9  | 0.9            | 0.9  | 0.9             | 0.9  |

| Trade name / Product name:   | Atlantic / Alféa ... | Extensa A.I. 5    | Extensa A.I. 6 | Extensa A.I. 8 | Extensa A.I. 10 |
|--|----------------------|-------------------|----------------|----------------|-----------------|
| Export code  |                      | 526220            | 526221         | 526222         | 526223          |
| Heating applications   |                      | 35°C 55°C         | 35°C 55°C      | 35°C 55°C      | 35°C 55°C       |
| Declared performance coefficients with a partial load for an indoor temperature of 20°C and an outdoor temperature of Tj |                      |                   |                |                |                 |
| Tj = -7°C  | COP <sub>d</sub>     | -                 | 2.86 1.86      | 2.65 1.79      | 2.35 1.77       |
| Tj = +2°C  | COP <sub>d</sub>     | -                 | 4.10 2.82      | 4.17 2.86      | 3.82 2.93       |
| Tj = +7°C  | COP <sub>d</sub>     | -                 | 5.00 4.00      | 5.99 4.03      | 5.69 4.12       |
| Tj = +12°C   | COP <sub>d</sub>     | -                 | 8.12 5.84      | 8.29 5.84      | 8.16 5.81       |
| Tj = bivalent temperature  | COP <sub>d</sub>     | -                 | 2.86 1.86      | 2.65 1.79      | 2.35 1.77       |
| Tj = operating temperature limit   | COP <sub>d</sub>     | -                 | 2.65 1.54      | 2.57 1.56      | 2.02 1.47       |
| For air/water heat pumps: operating temperature limit  | TOL                  | °C                | -10            | -10            | -10             |
| Maximum heating water operating temperature  | WTOL                 | °C                | 55             | 55             | 55              |
| Backup heater  |                      |                   |                |                |                 |
| Rated heat output <sup>(2)</sup>   | P <sub>sup</sub>     | kW                | 0.6 1.1        | 0.7 1.0        | 0.9 1.2         |
| Type of energy used  | -                    | -                 | Electric       |                |                 |
| Electricity consumption in modes other than the active mode  |                      |                   |                |                |                 |
| Shutdown mode  | P <sub>OFF</sub>     | W                 | 6 6            | 6 6            | 6 6             |
| Thermostat shutdown mode   | P <sub>TO</sub>      | W                 | 19 17          | 23 16          | 30 16           |
| Standby mode   | P <sub>SB</sub>      | W                 | 10 10          | 10 10          | 9 9             |
| Casing resistance mode   | P <sub>CK</sub>      | W                 | 0 0            | 0 0            | 0 0             |
| Other characteristics  |                      |                   |                |                |                 |
| Power control  | -                    | -                 | Inverter       |                |                 |
| For air/water heat pumps, rated air flow rate, outdoors  | -                    | m <sup>3</sup> /h | 2070           | 2340           | 3600 6200       |

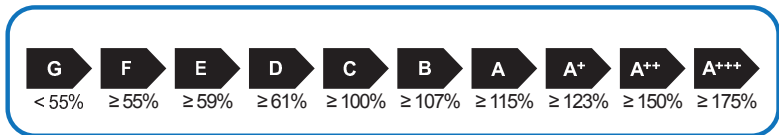
- (1) The calculation details are available on the package datasheet. The room unit refers to: sensors, thermostats and remote controllers included, or not included, in the kits.
- (2) For heat pump space heaters and heat pump combination heaters, the rated heat output P<sub>rated</sub> is equal to the rated calorific load P<sub>designh</sub>, and the rated heat output of the backup heater P<sub>sup</sub> is equal to the calorific output of the extra backup heating (Tj).
- (3) If Cdh is not determined by measurement then the default degradation coefficient is Cdh=0.9.

### 15.3 Package datasheet

|   |    |
|---|----|
| Outside sensor included in the combined package |    |
| Controller class                                | II |
| Seasonal efficiency contribution                | 2% |

|                                  |        |
|----------------------------------|--------|
| Room appliance codes             | 074208 |
|                                  | 074213 |
|                                  | 074214 |
| Regulator class                  | VI     |
| Seasonal efficiency contribution | 4%     |

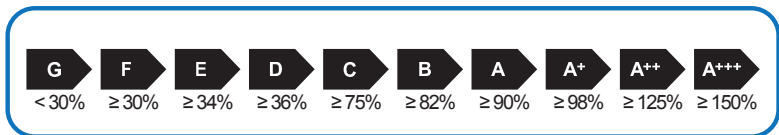
#### Application 35°C



| Product name  | Alfea ... | Extensa A.I. 5 |             | Extensa A.I. 6 |             | Extensa A.I. 8 |             | Extensa A.I. 10 |             |
|---|-----------|----------------|-------------|----------------|-------------|----------------|-------------|-----------------|-------------|
| Export code   |           | 526220         |             | 526221         |             | 526222         |             | 526223          |             |
| Seasonal energy efficiency of heat pump for space heating                         |           | 169%           |             | 169%           |             | 156%           |             | 155%            |             |
| Type of temperature control (* = Outside sensor; ** = Room unit)                  |           | * class II     | ** class VI | * class II     | ** class VI | * class II     | ** class VI | * class II      | ** class VI |
| Bonus   |           | 2%             | 4%          | 2%             | 4%          | 2%             | 4%          | 2%              | 4%          |
| Seasonal space heating energy efficiency of package in average climate conditions |           | 171%           | 173%        | 171%           | 173%        | 158%           | 160%        | 157%            | 159%        |
| Energy class of the package   |           | A++            | A++         | A++            | A++         | A++            | A++         | A++             | A++         |
| Seasonal space heating energy efficiency of package in warmer climate conditions  |           | 219%           | 221%        | 214%           | 216%        | 209%           | 211%        | 198%            | 200%        |
| Seasonal space heating energy efficiency of package in colder climate conditions  |           | NA             |             |                |             |                |             |                 |             |

The energy efficiency of the combined product provided for in this datasheet may not correspond to its actual energy efficiency once the combined product has been installed in a building, as the efficiency is influenced by other factors such as heat loss in the distribution system and the capacity of the products in relation to building size and characteristics.

#### Application 55°C



| Product name  | Alfea ... | Extensa A.I. 5 |             | Extensa A.I. 6 |             | Extensa A.I. 8 |             | Extensa A.I. 10 |             |
|---|-----------|----------------|-------------|----------------|-------------|----------------|-------------|-----------------|-------------|
| Export code   |           | 526220         |             | 526221         |             | 526222         |             | 526223          |             |
| Seasonal energy efficiency of heat pump for space heating                         |           | 115%           |             | 115%           |             | 118%           |             | 113%            |             |
| Type of temperature control (* = Outside sensor; ** = Room unit)                  |           | * class II     | ** class VI | * class II     | ** class VI | * class II     | ** class VI | * class II      | ** class VI |
| Bonus   |           | 2%             | 4%          | 2%             | 4%          | 2%             | 4%          | 2%              | 4%          |
| Seasonal space heating energy efficiency of package in average climate conditions |           | 117%           | 119%        | 117%           | 119%        | 120%           | 122%        | 115%            | 117%        |
| Energy class of the package   |           | A+             | A+          | A+             | A+          | A+             | A+          | A+              | A+          |
| Seasonal space heating energy efficiency of package in warmer climate conditions  |           | 141%           | 143%        | 140%           | 142%        | 140%           | 142%        | 138%            | 140%        |
| Seasonal space heating energy efficiency of package in colder climate conditions  |           | NA             |             |                |             |                |             |                 |             |

The energy efficiency of the combined product provided for in this datasheet may not correspond to its actual energy efficiency once the combined product has been installed in a building, as the efficiency is influenced by other factors such as heat loss in the distribution system and the capacity of the products in relation to building size and characteristics.

## 16 Instructions for the end user

---

Explain to the user how his installation operates, in particular the functions of the room sensor and the programmes accessible to them via the user interface.

Emphasise that a heated floor has significant inertia and that therefore any adjustments must be made gradually.

Also explain to the end user how to check the filling of the heating circuit.

### ☞ **End-of-life of the appliance**

The appliances must be dismantled and recycled by a specialised service. The appliances must not, under any circumstances, be thrown out with household waste, bulky waste or at a tip.

At the end of its service life, please contact your installer or local representative to proceed with its dismantling and recycling.



This equipment complies with:

- Low Voltage Directive 2006/95/EC in accordance with EN 60335-1 and EN 60335-2-40 standards,
- Electromechanical Compatibility Directive 2004/108/EC,
- Machines Directive 2006/42/EC,
- Pressure Equipment Directive 97/23/EC,
- Ecodesign Directive 2009/125/EC,
- Energy Labelling Directive 2010/30/EC.

This appliance also complies with:

- Decree No. 92-1271 (and its modifications) relating to certain refrigeration fluids used in refrigeration and air conditioning equipment.
- Regulation 842/2006 of the European Parliament on certain fluorinated greenhouse gases.
- Standards relating to the product and testing methods used: Air-conditioners, liquid chiller units and heat pumps with a compressor driven by an electric motor for heating and refrigeration EN 14511-1, EN 14511-2, EN 14511-3, EN 14511-4.
- EN 12102 standard: Air-conditioners, heat pumps and dehumidifiers with compressor driven by electric motor. Measurement of airborne noise. Determination of the level of sound power.



Keymark Certification:

- 012-007 - Alféa Extensa A.I. 5 / 012-008 - Alféa Extensa A.I. 6
- 012-009 - Alféa Extensa A.I. 8 / 012-010 - Alféa Extensa A.I. 10



This appliance is marked with this symbol. It means that all electrical and electronic products must be strictly separated from household waste.

A specific recovery system for this type of product is in place in the countries of the European Union (\*), Norway, Iceland and Liechtenstein.

Do not attempt to dismantle this product yourself. This can have adverse effects on your health and on the environment.

Refrigerant liquid, oil and other parts must be reprocessed by a qualified installer in accordance with applicable local and national laws.

In terms of recycling, this appliance must be processed by a specialised service and must not, under any circumstances, be thrown out with household waste, bulky waste or at a tip.

Please contact your installer or local representative for more information.

\* Depending on the national regulations of each member state.

Commissioning date:

Contact details of your heating engineer or After Sales service.



[www.atlantic.fr](http://www.atlantic.fr)

Société Industrielle de Chauffage

SATC - BP 64 - 59660 MERVILLE - FRANCE