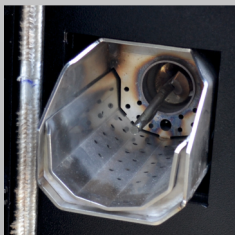
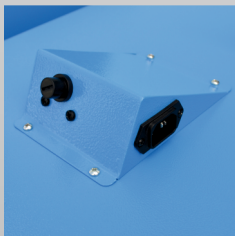
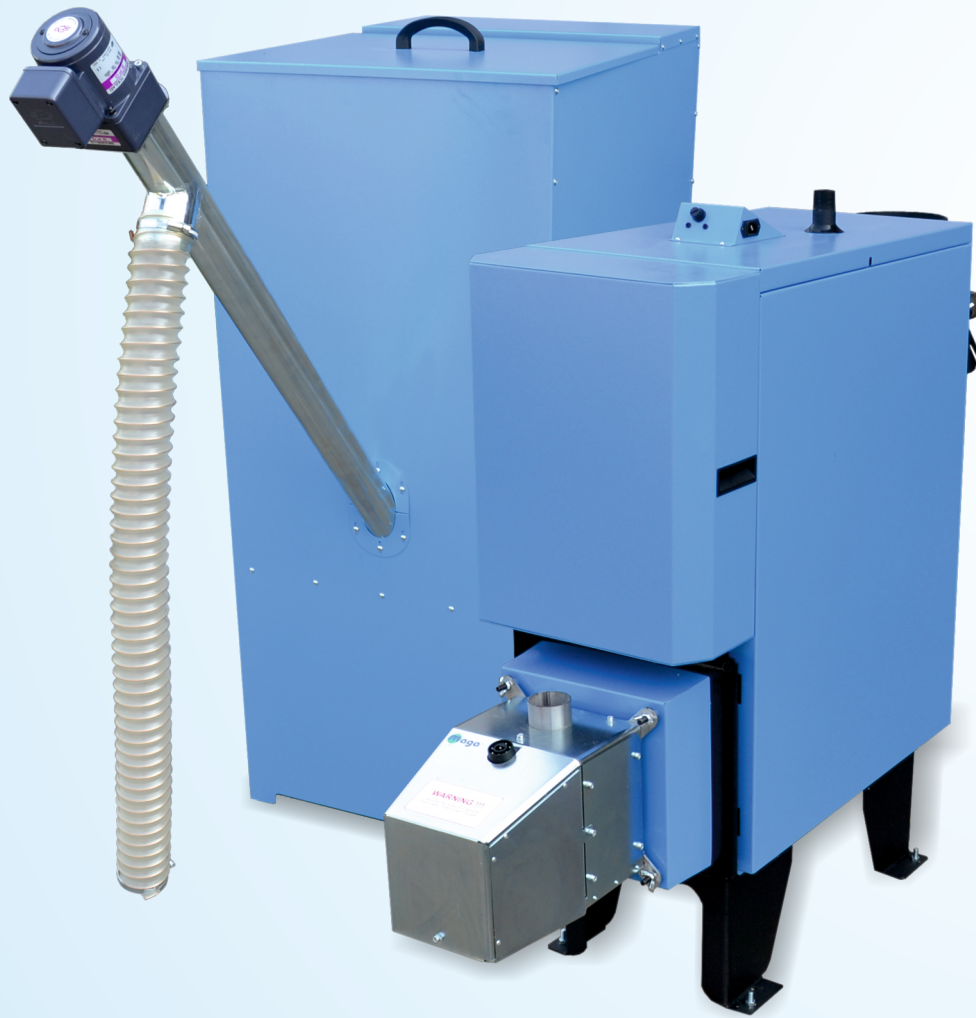


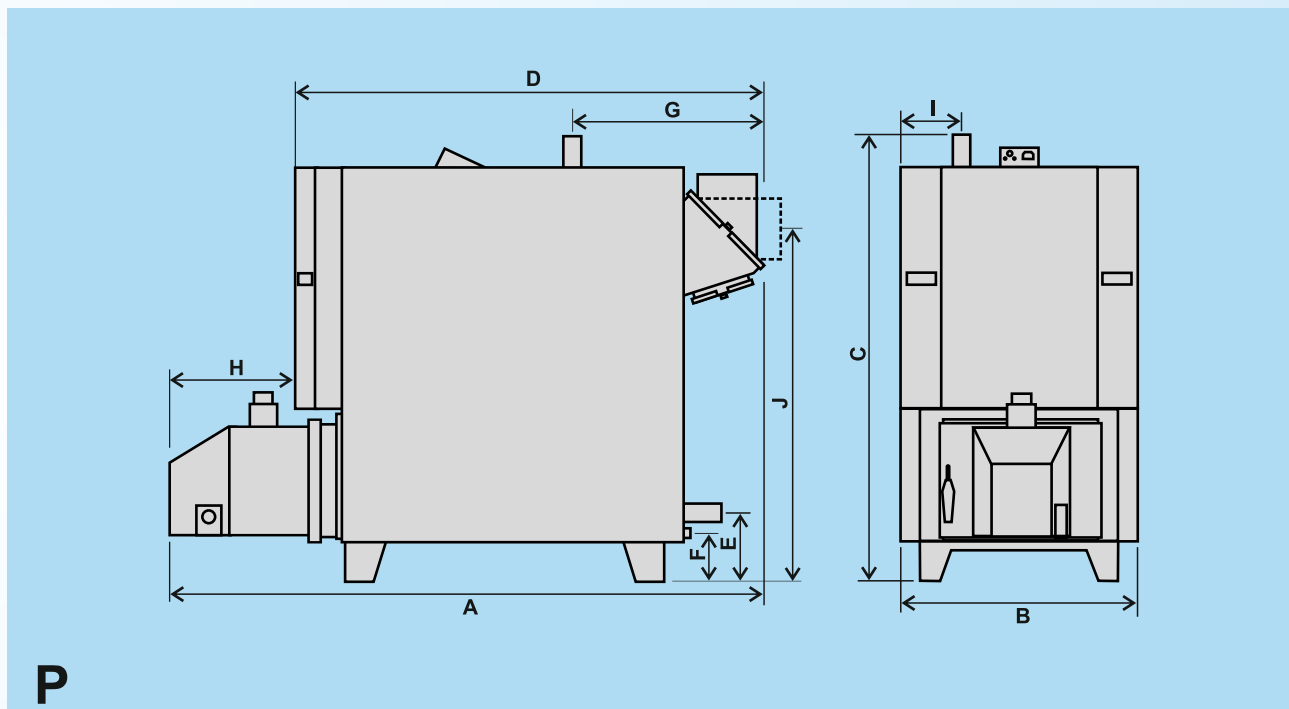
Automatic boilers P-series



- High efficiency
- Ecologic combustion
- Fuel: pellets (emergency substitute fuel – wood – extra grid needed)
- Automatic ignition
- Requirements for operation and maintenance are minimal
- Possibility of room unit connection
- Possibility of heating of hot water
- Multifunctional control unit – user friendly multilingual display
- Possibility to burn lower quality pellets - fiddling in the burner
- Easy cleaning and maintenance

The design of automatic boiler P-Series ensures high operational reliability, durability and ease of operation. P Series boilers achieve combustion efficiency up to 95 %. The boiler is made of steel plate heat exchanger with tube-horizontal exits with turbolators. The inner wall of the boiler is 5 mm thick. Burner with automatic ignition is placed in the lower door with easy access for cleaning of the boiler and burner. The burner includes 2 screw conveyors. The first one provides collection of fuel from the tank and the second one subsequently feed the fuel into the combustion chamber and it also mixes the fuel in the combustion chamber at the same time. The mixing function allows to burn pellets of lower quality, too. The entire operation of the boiler is controlled by the electronic control unit, with number of functions. i.e. modulation of fuel feeding, fan RPM regulation, equithermal management, pump control, warning of shortcoming fuel. The control unit can be connected to the room unit or room thermostat.

Technical parameters



Type of boiler		P 20	P 40	P 60
Dimensions: A	mm	1265	1569	1596
B	mm	340	545	636
C	mm	1045	1197	1197
D	mm	1000	1260	1260
E	mm	280	183	183
F	mm	230	130	130
G	mm	480	530	530
H	mm	290	336	336
I	mm	105	163	163
J	mm	860	950	950
Power	kW	5 - 17	10 - 36	15 - 55
Chimney draft	Pa	8	15	20
Flue (diameter)	mm	160		
Connection		1"	6/4"	6/4"
Weight	kg	190	380	430
Input (without ignition)	W	120		140
Efficiency	%	86-89		
Combustion efficiency	%	do 95		
Tank fuel sizes	l	330, 450, 750		
Fuel		Pellets 6 - 8 mm		

Maga , s.r.o. is not responsible for printing errors

MANUFACTURER:
MAGA s.r.o., Samuela Kollára 86
979 01 Čerenčany – Rimavská Sobota
Slovak Republic

Mobil: 00421 917465298

Tel.: 00421- 47 56 34 798

e-mail: sales@magasro.sk

www.magasro.sk

DEALER:

